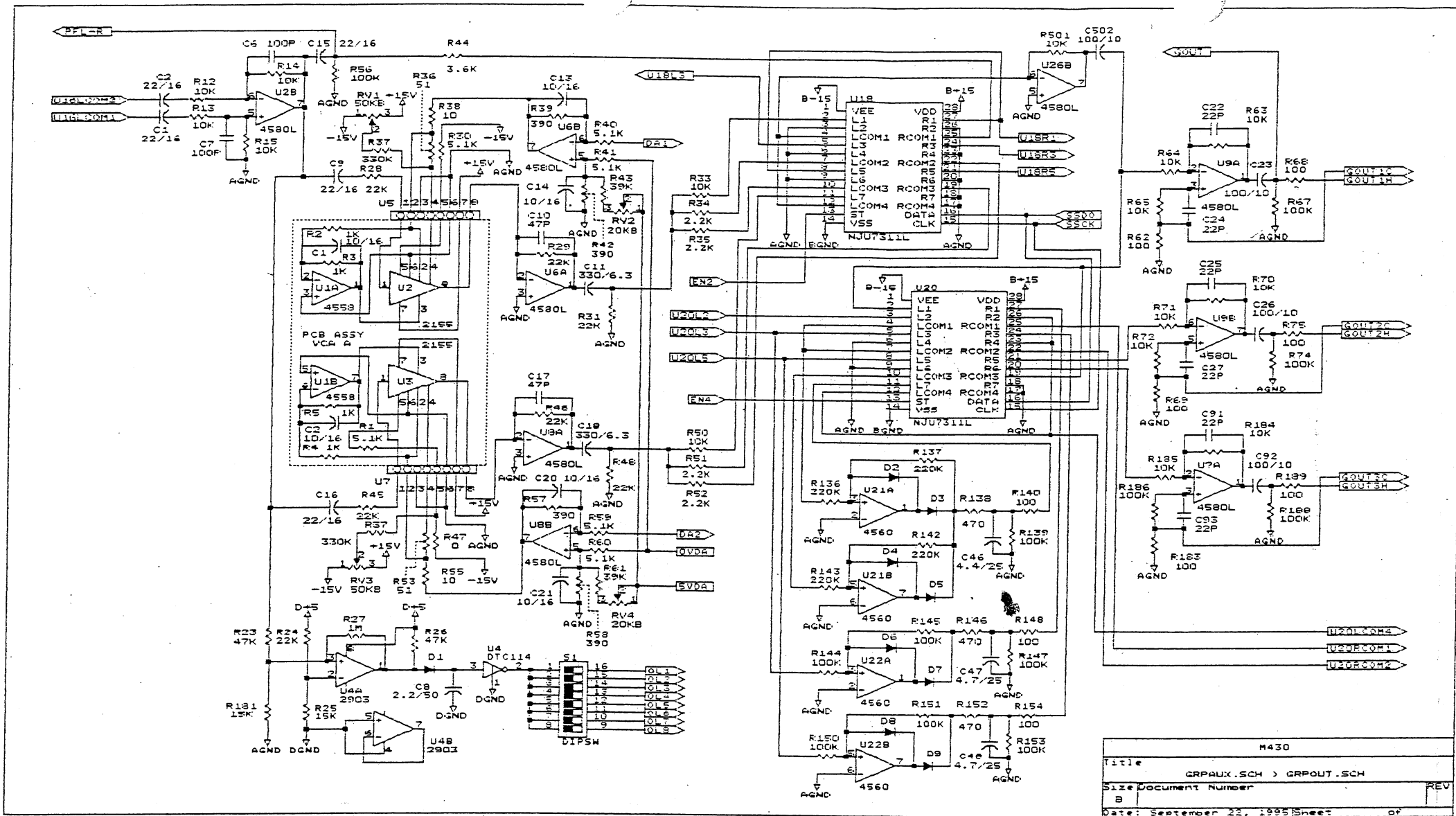
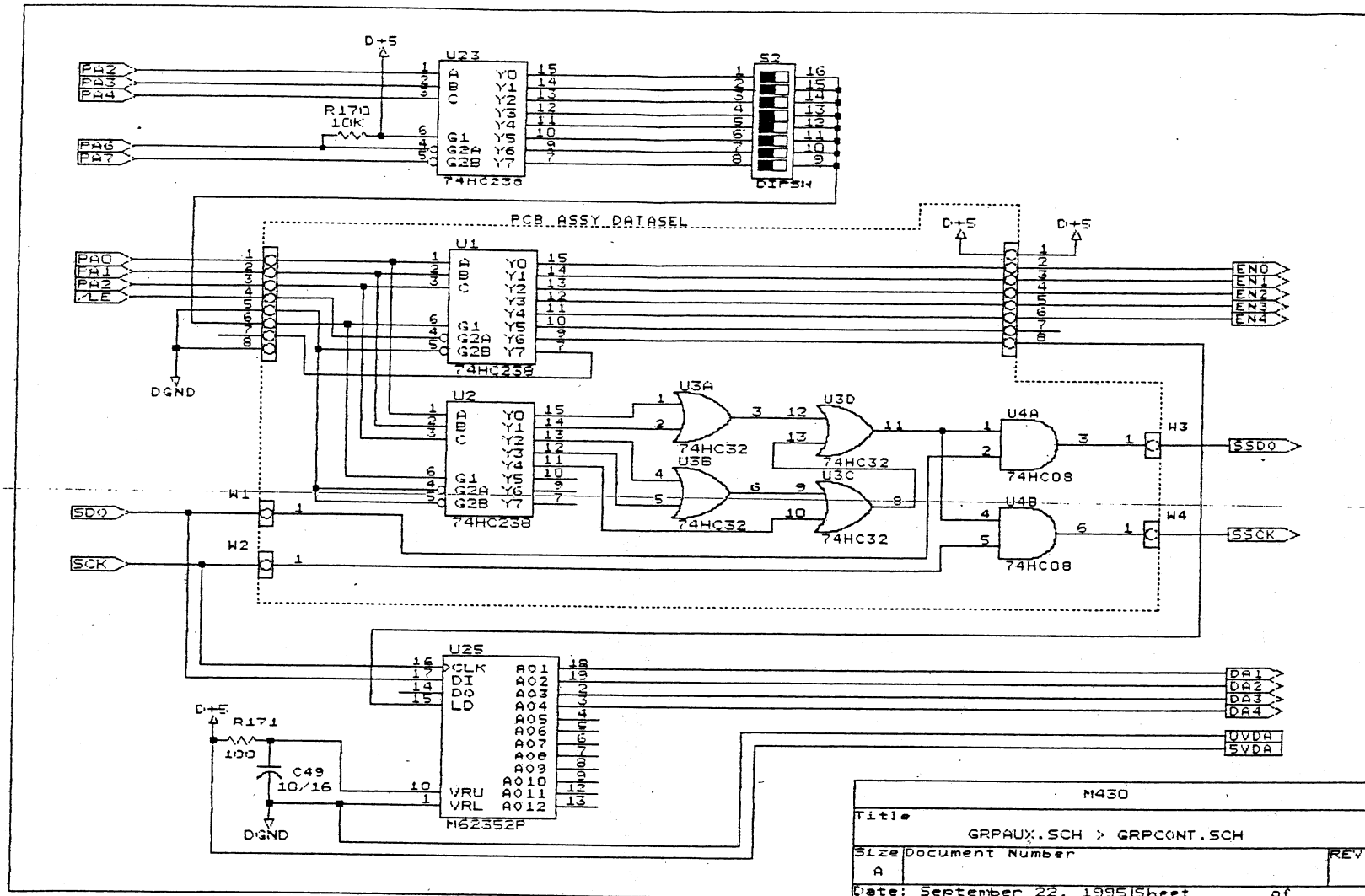


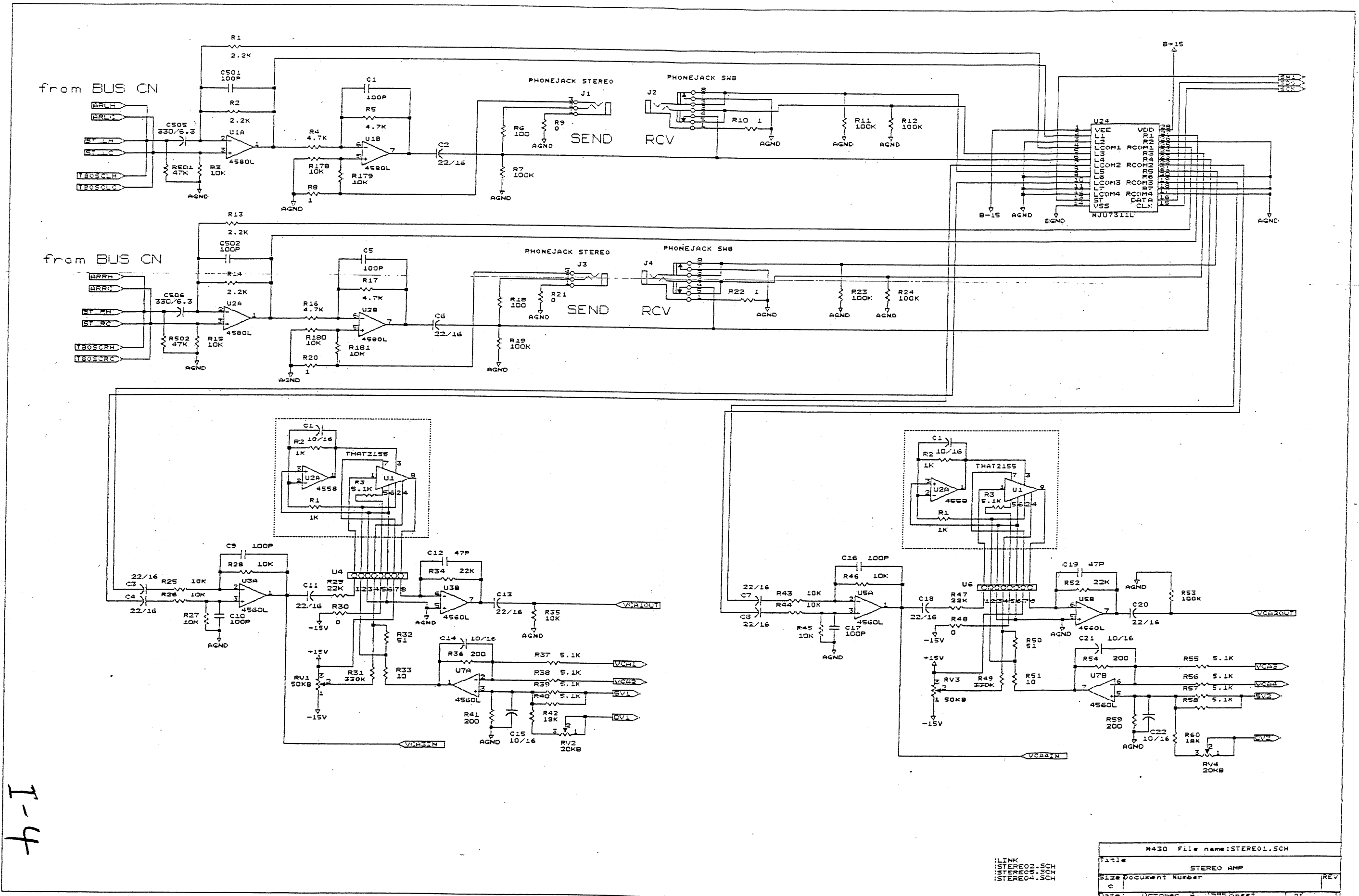
ROOT	
Title	M430 > GRPAUX.SCH
Size Document Number	REV
Date: September 22, 1995	Sheet of

1-1



I-2

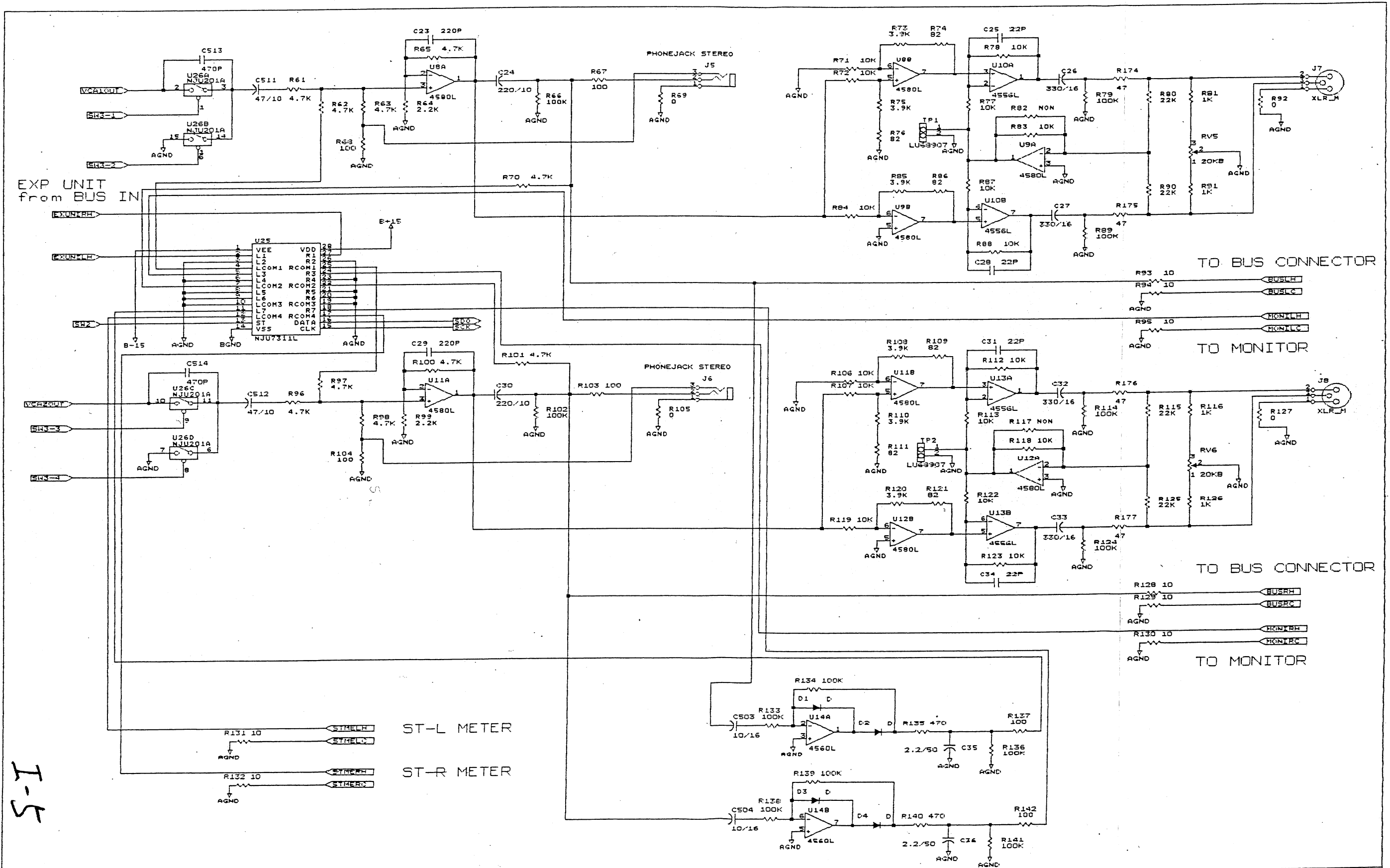




I-4

LINK
STEREO2.SCH
STEREO3.SCH
STEREO4.SCH

M430 File name: STEREO1.SCH	
Title	STEREO AMP
Size	Document Number
c	REV
Date:	October 4, 1995 Sheet 1 of 3



EXP UNIT
from BUS IN

TO BUS CONNECTOR

TO MONITOR

TO BUS CONNECTOR

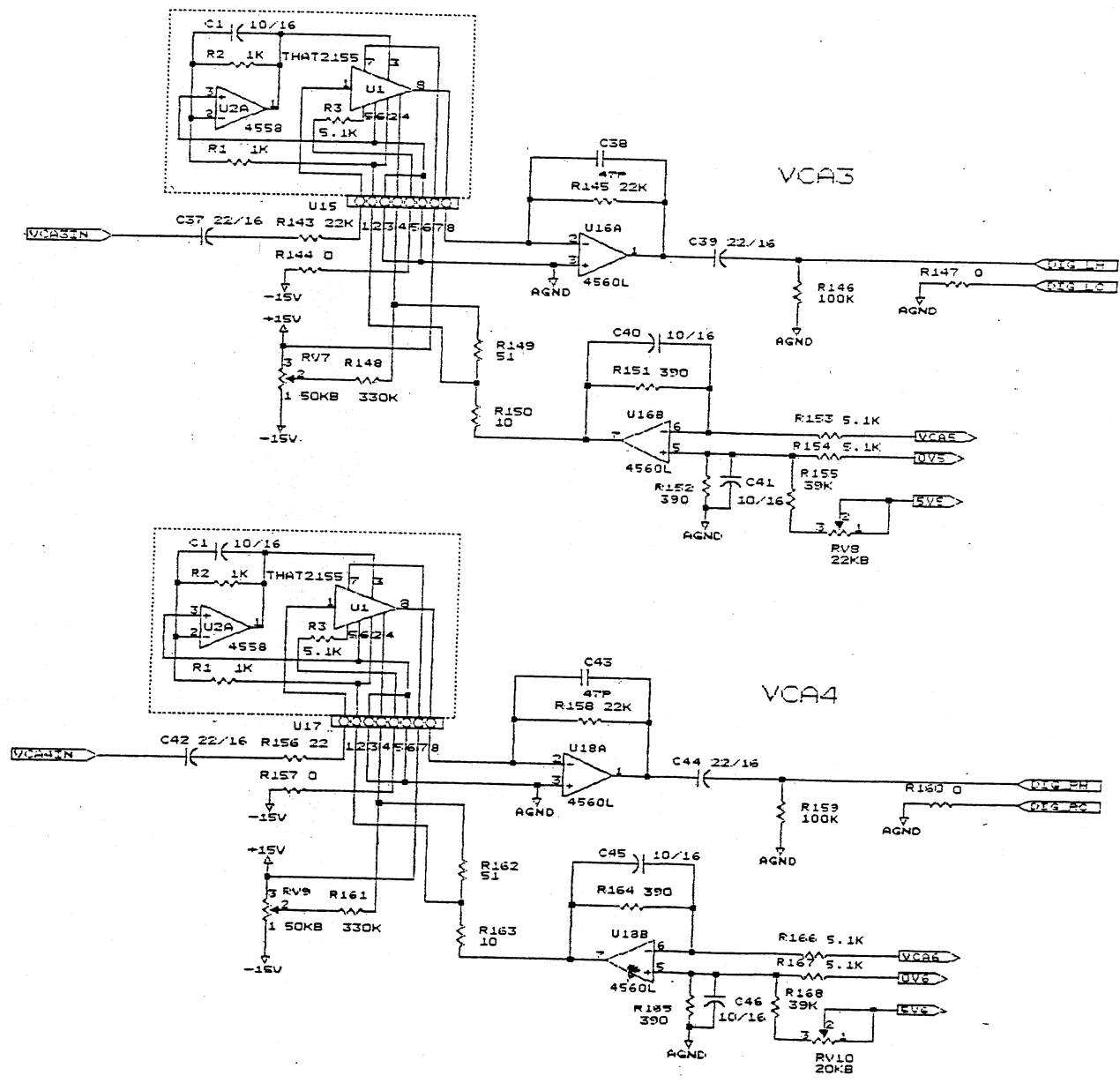
TO MONITOR

ST-L METER

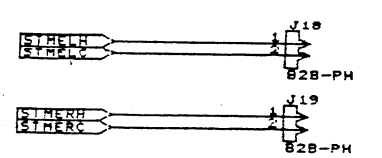
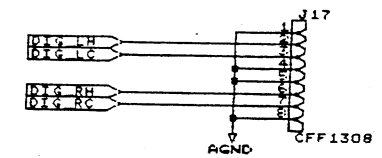
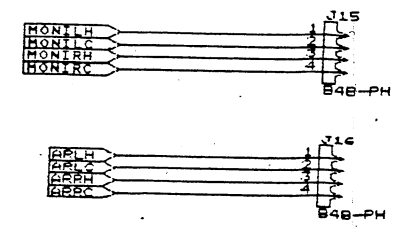
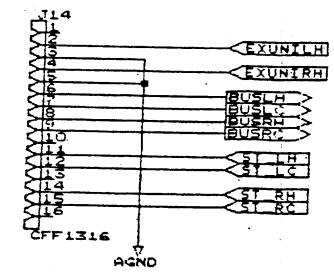
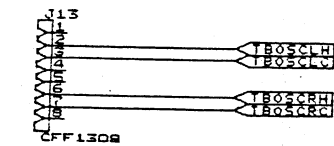
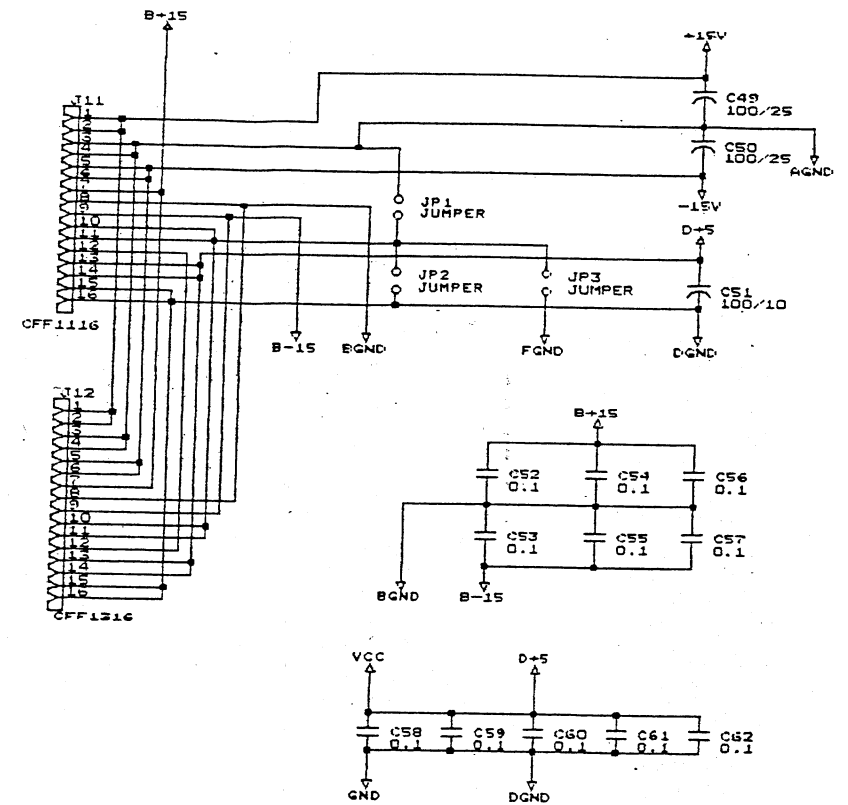
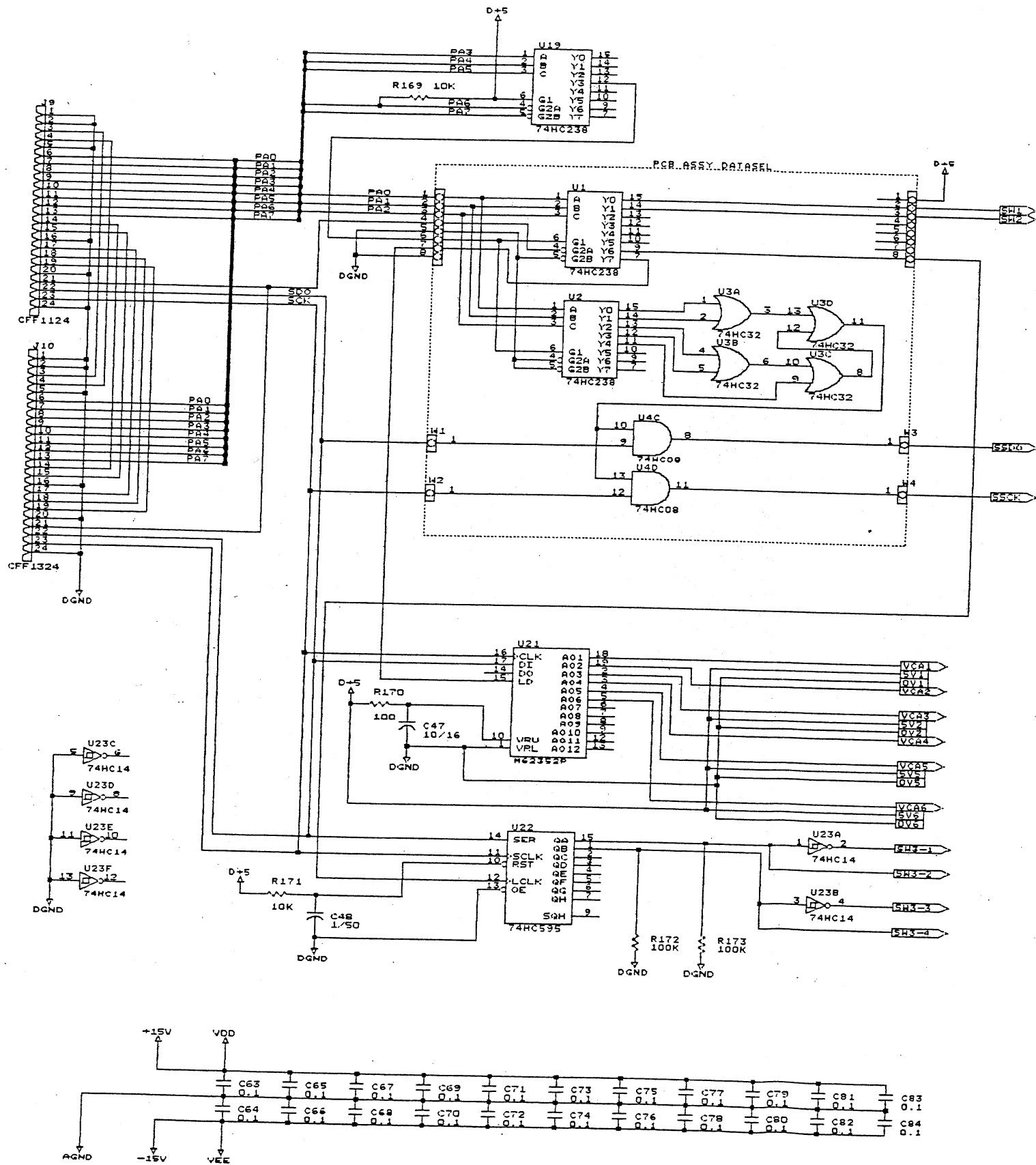
ST-R METER

I-5

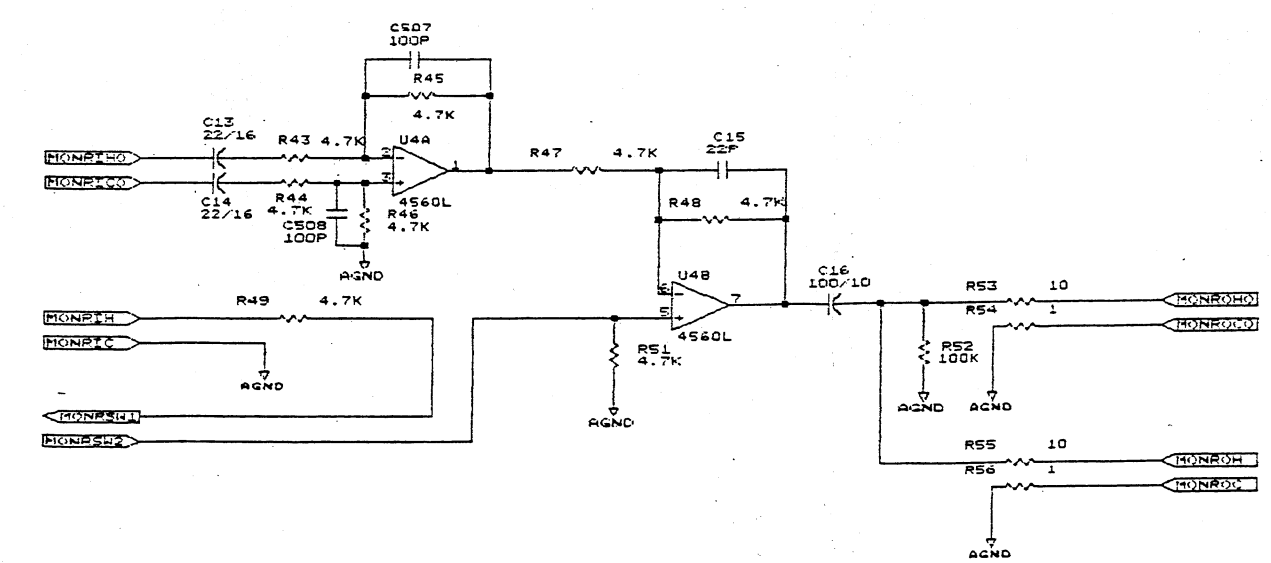
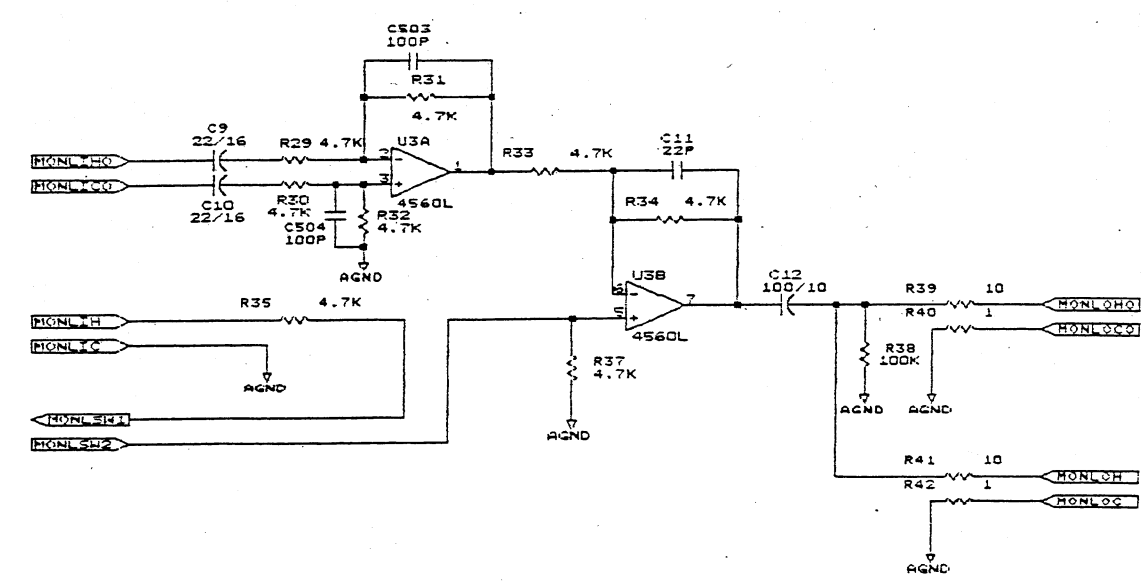
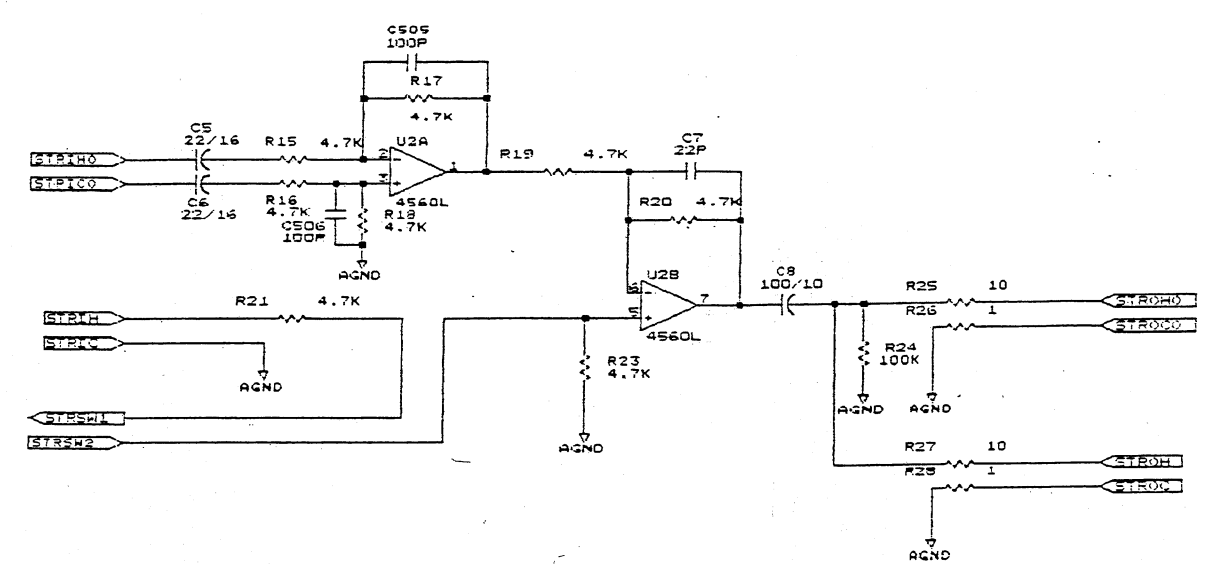
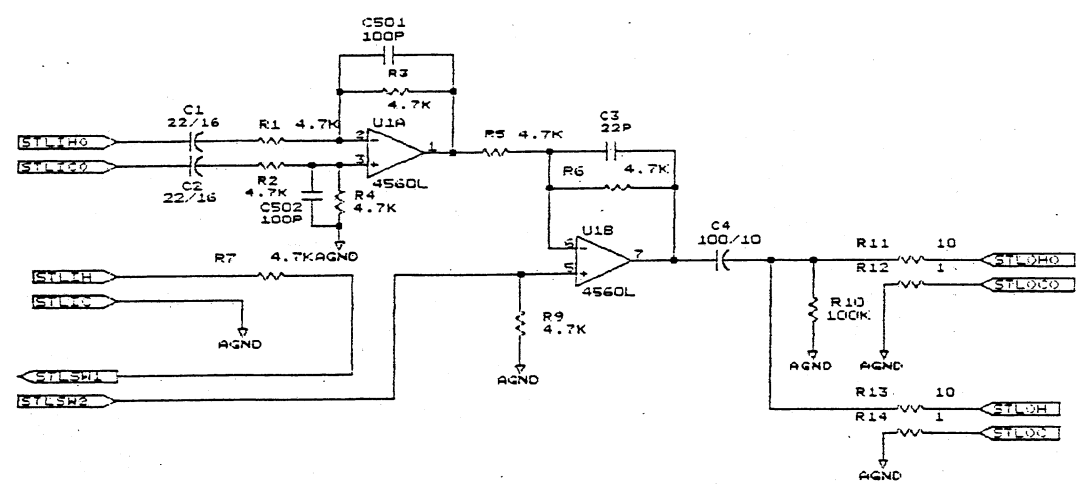
9-1



M430 File name:STEREO5.SCH	
Title	STEREO AMP
Size Document Number	REV
C	
Date: October 4, 1995	Sheet 3 of 4



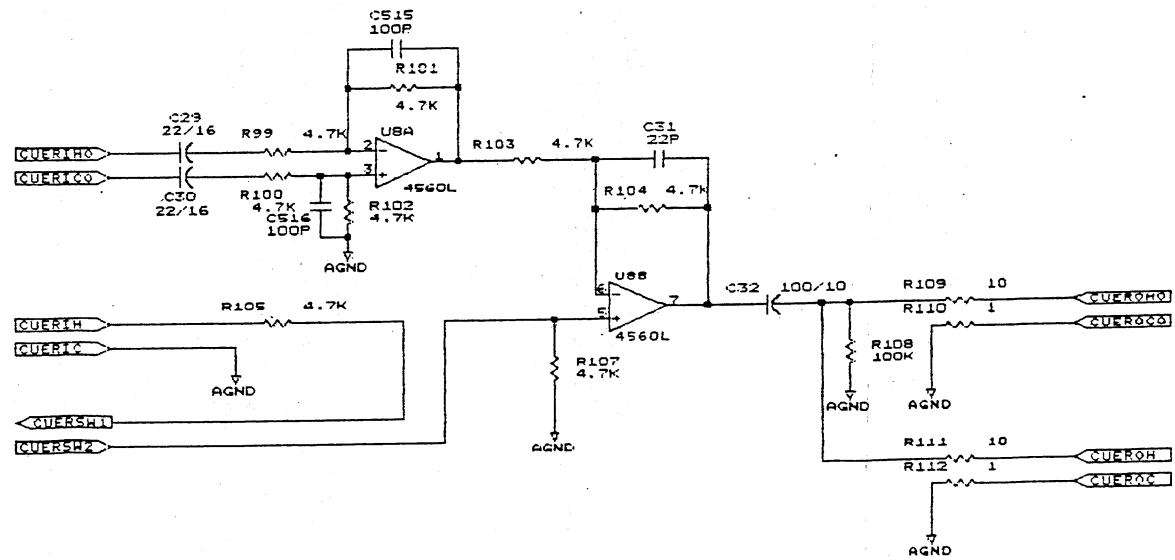
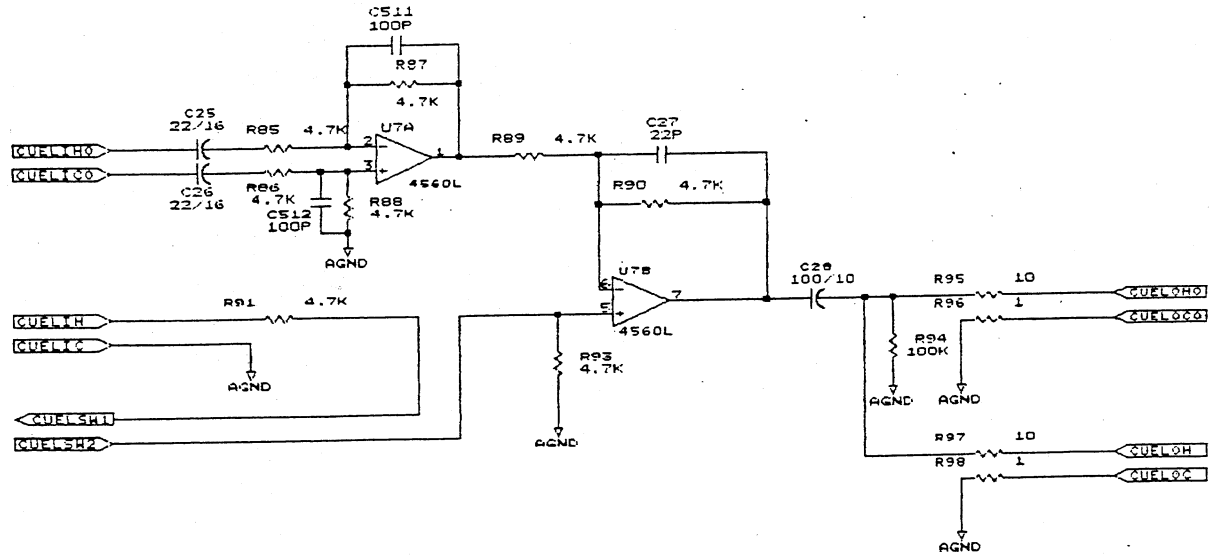
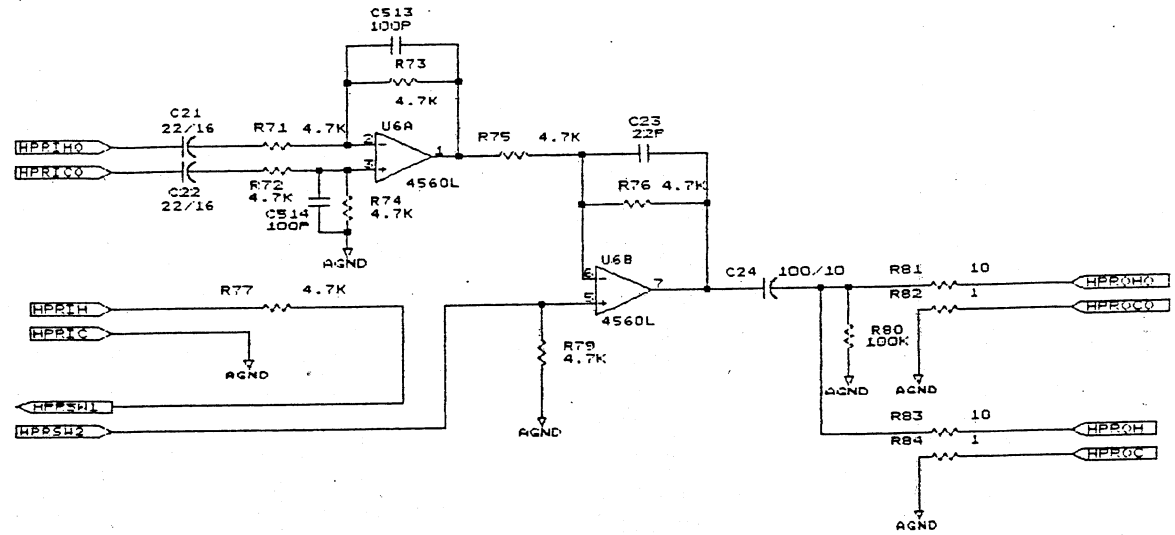
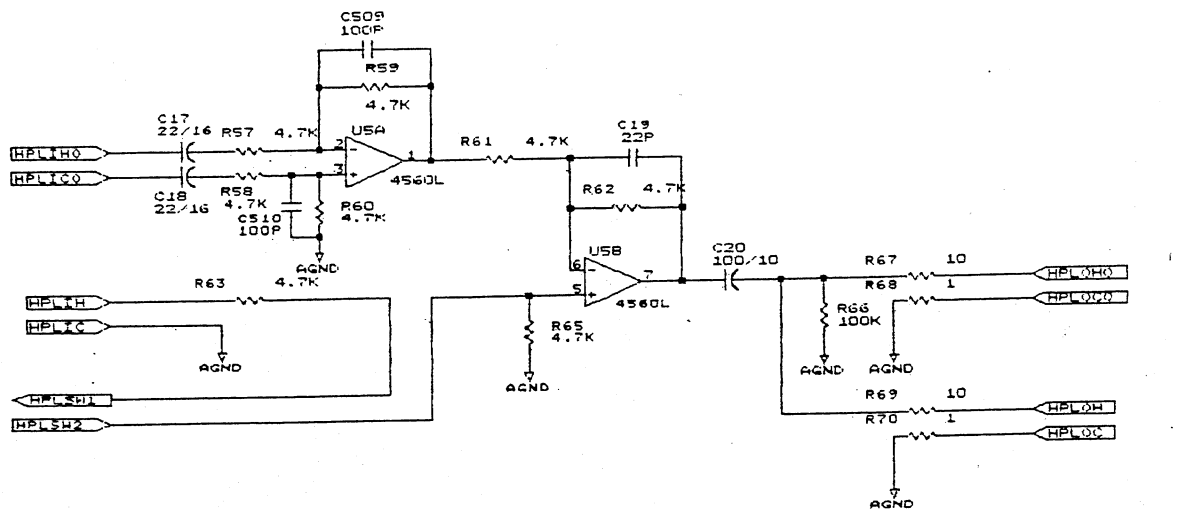
4-1



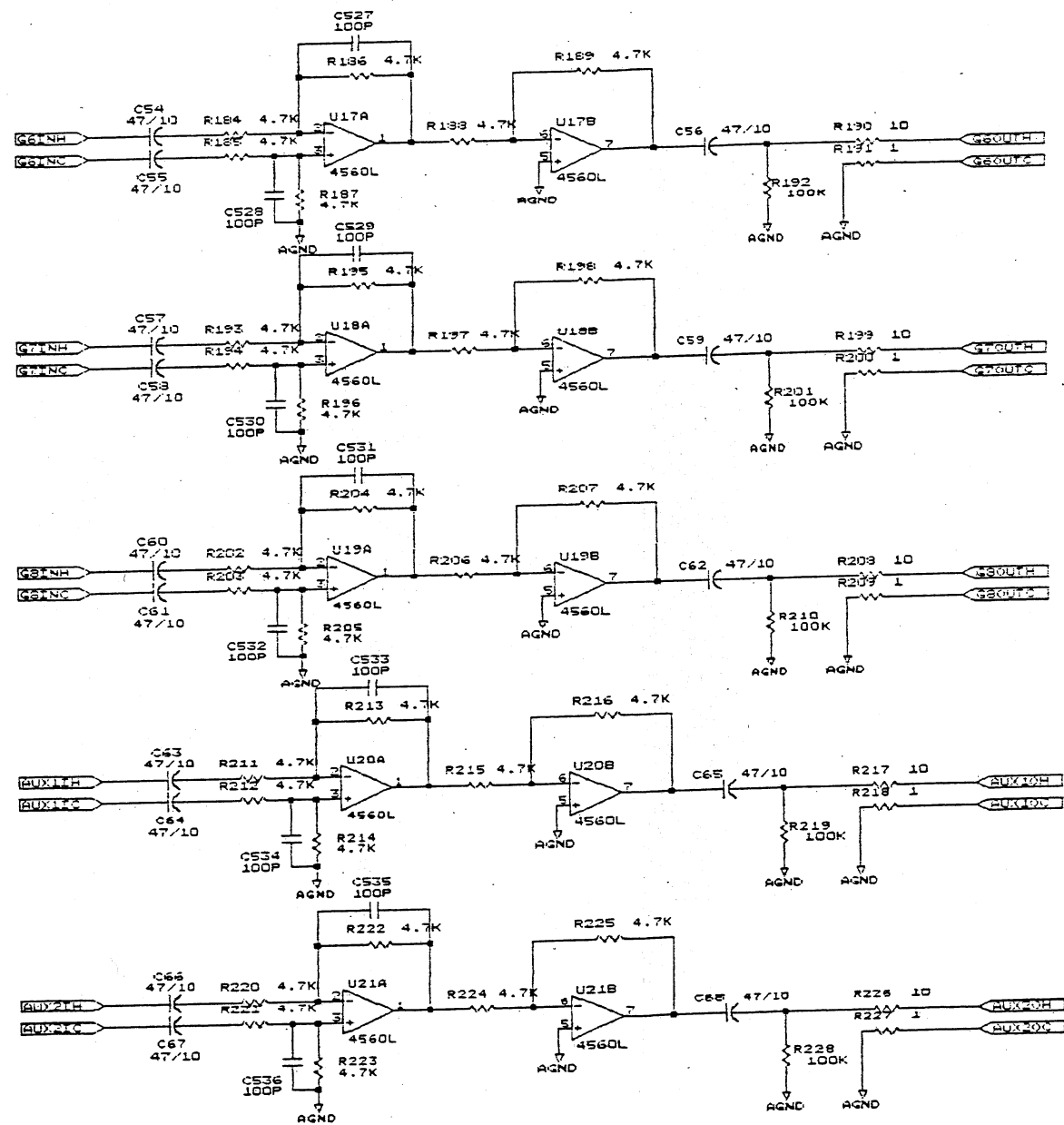
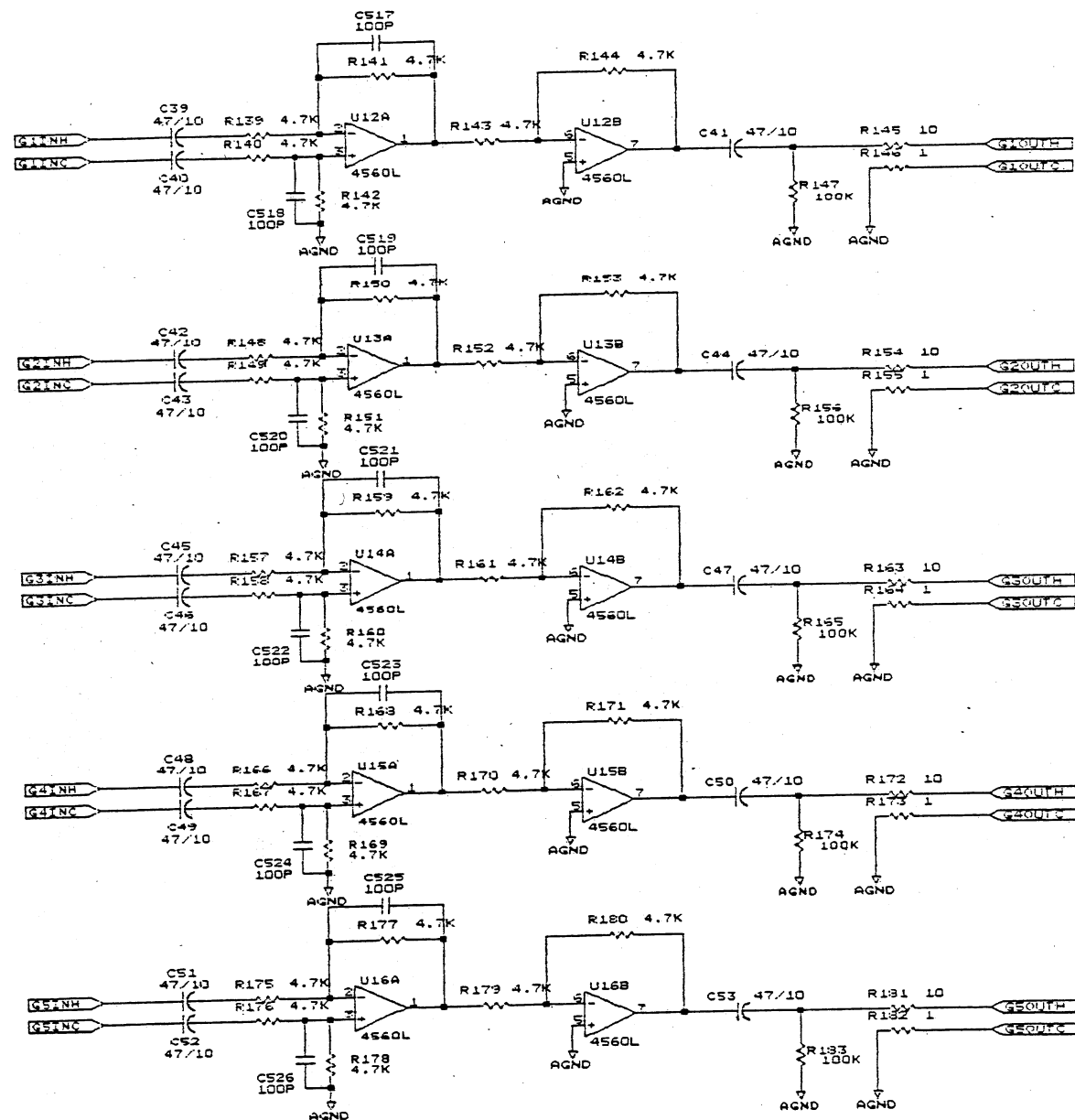
8-1

LINK
MBS2.SCH
EXOSC.SCH
BUS1.SCH
BUS2.SCH
CONE.SCH
CONE1.SCH

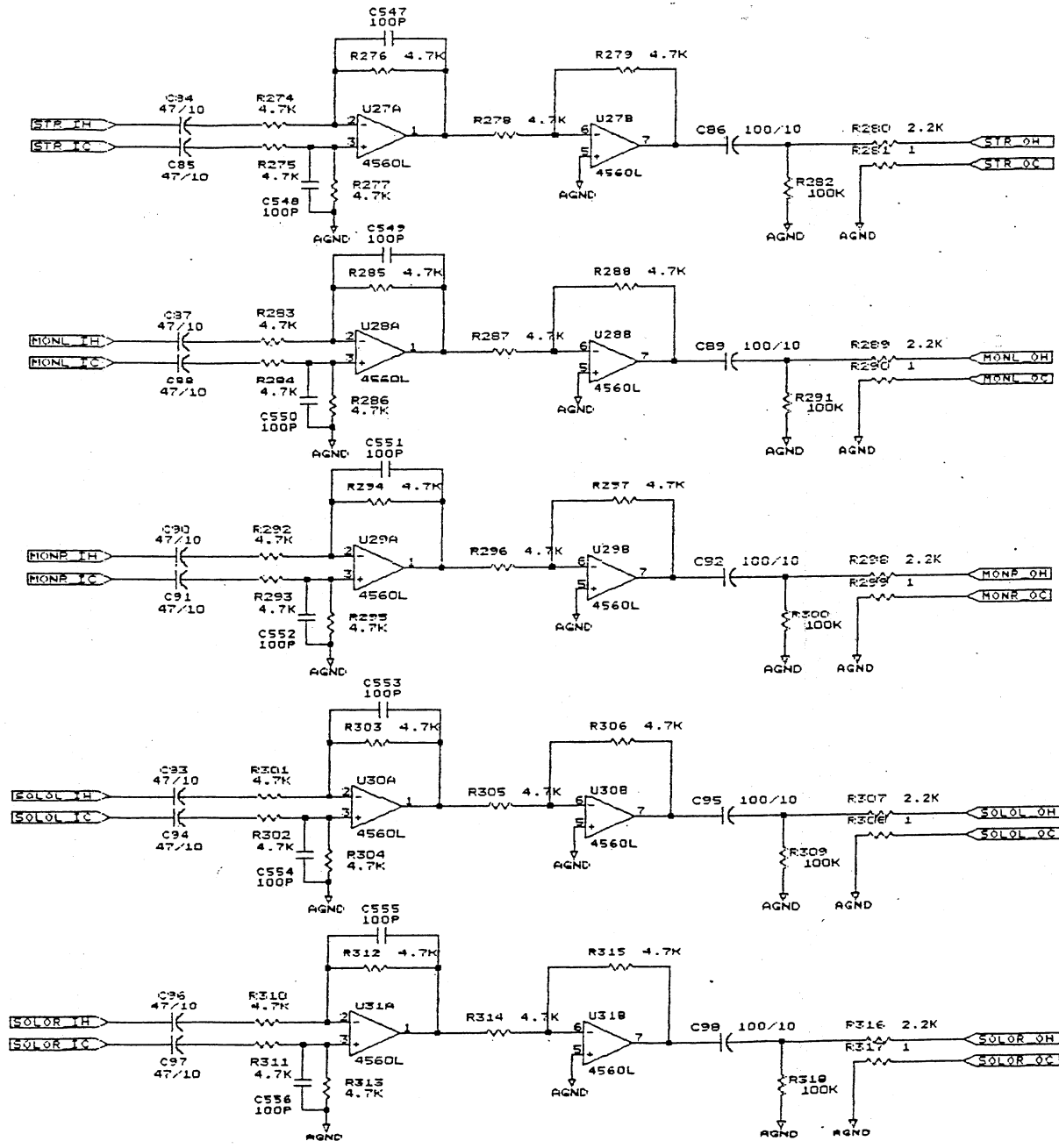
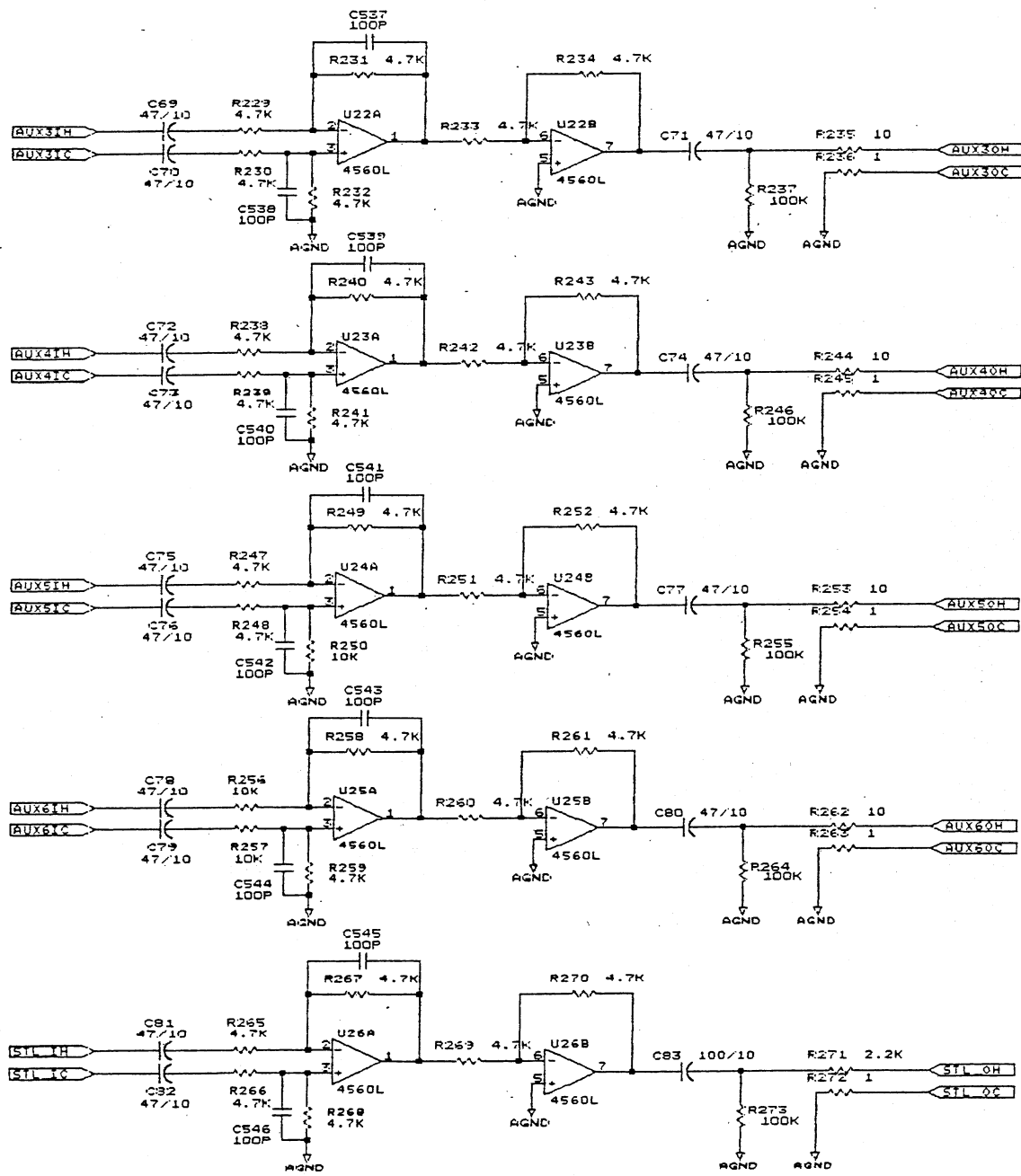
M430 File name:MBS1.SCH	
Size Document Number	REV
C	MON BUS1
Date: September 27, 1995	Sheet 1 of 7



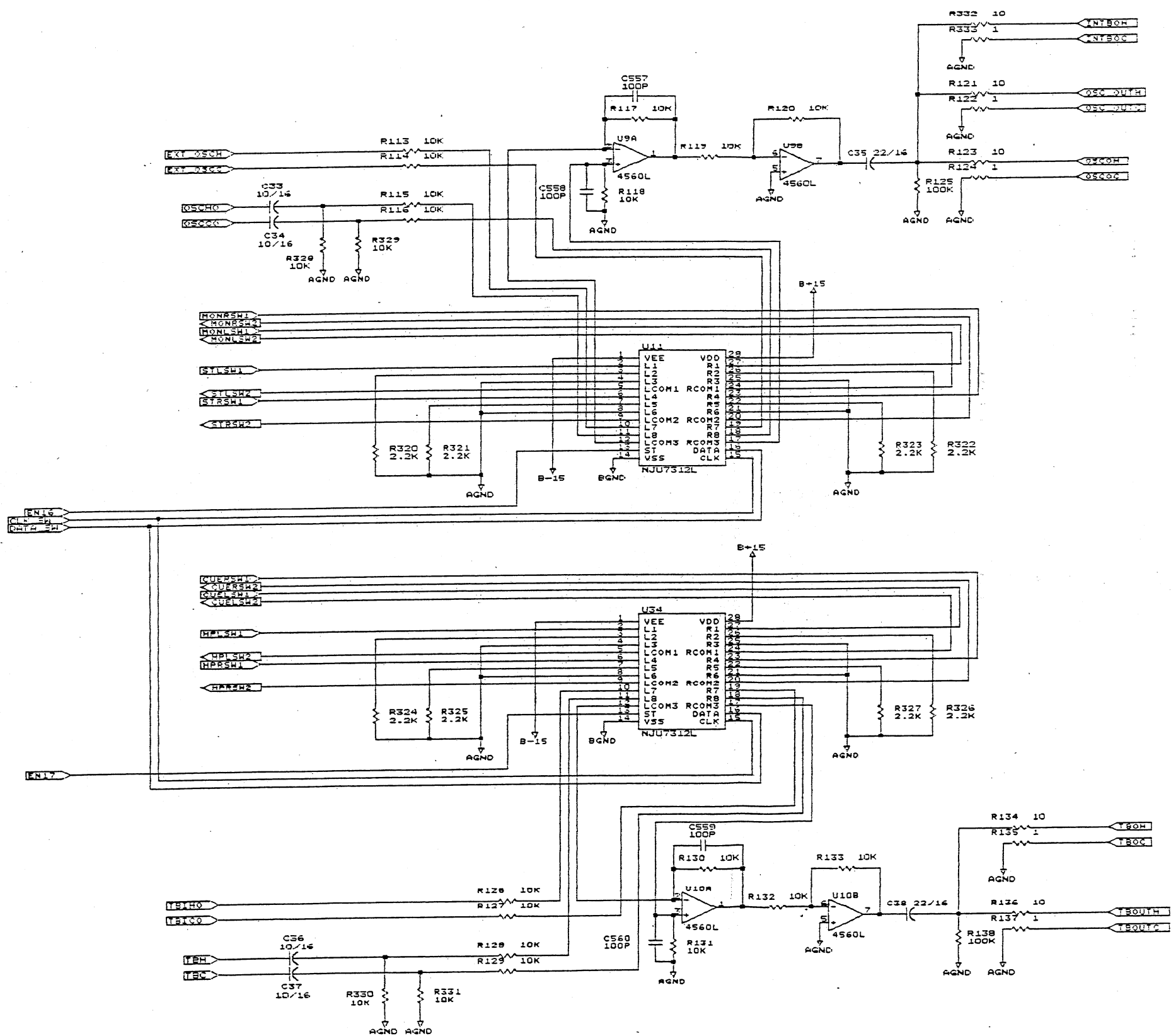
6-1



I-10

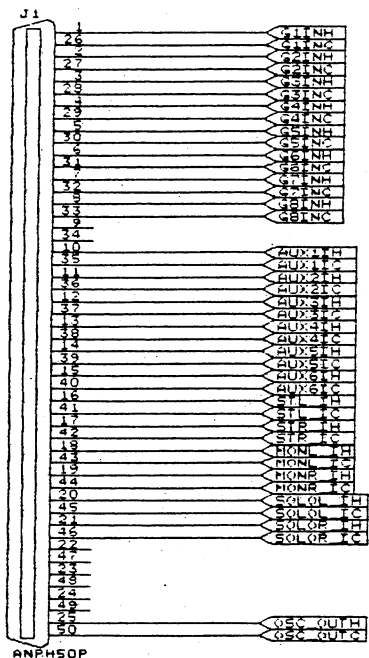


11-1

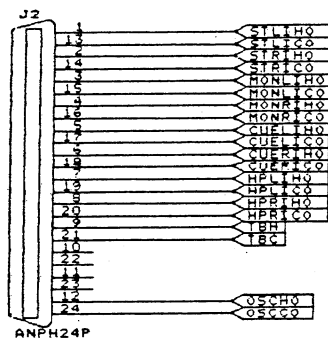


I-12

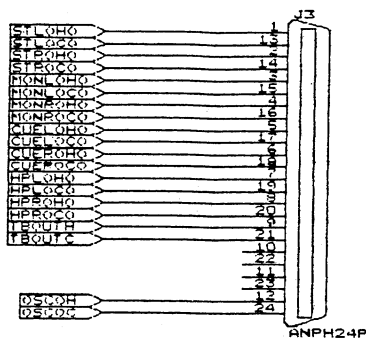
FROM M420



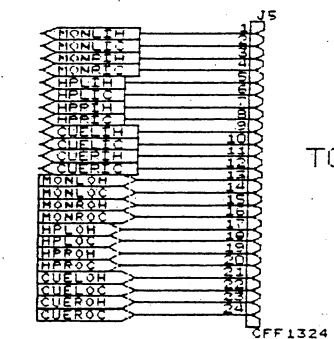
FROM EXP UNIT



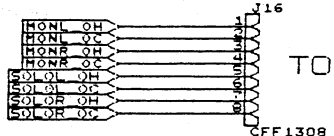
TO EXP UNIT



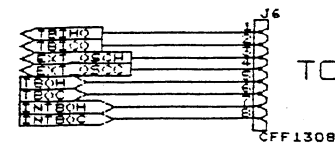
TO MON



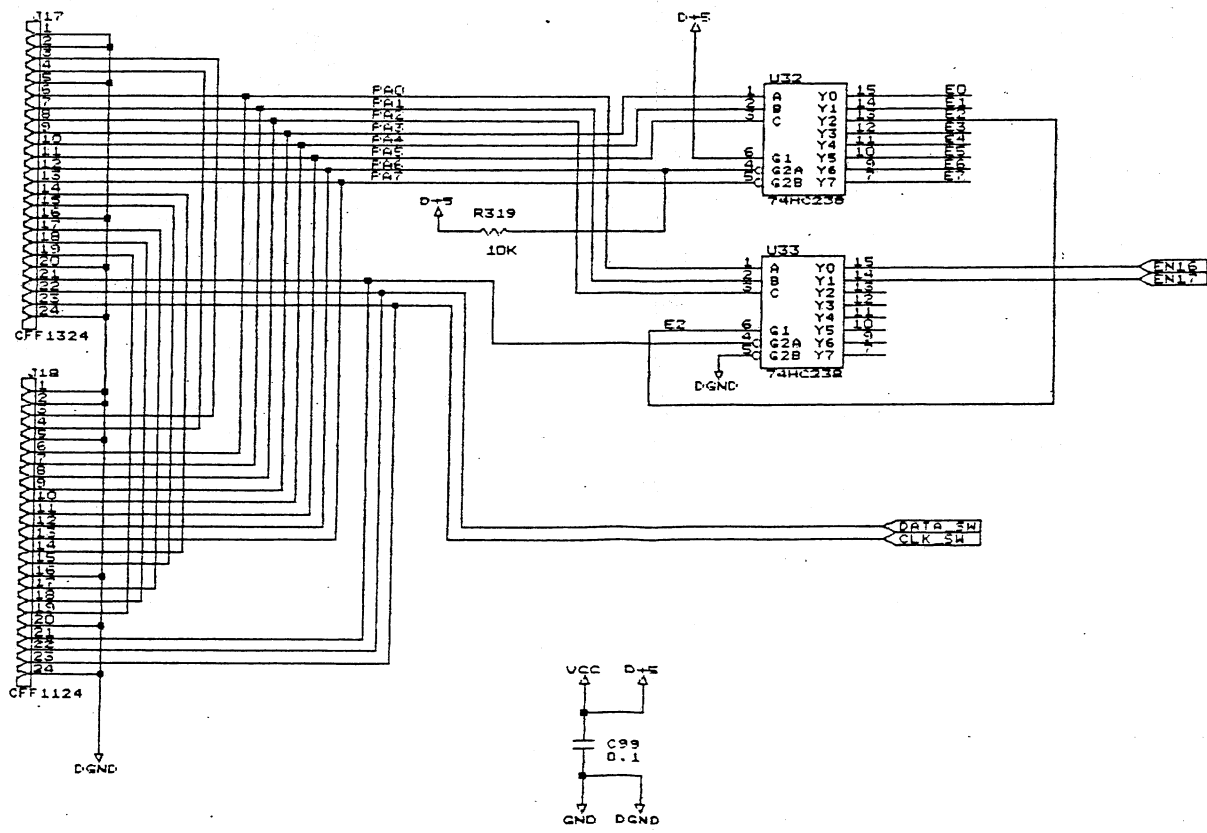
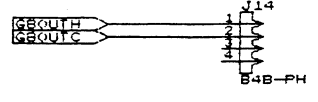
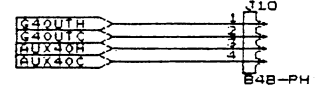
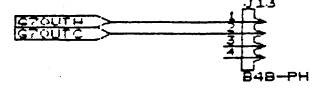
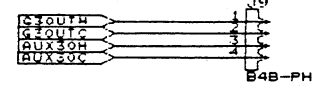
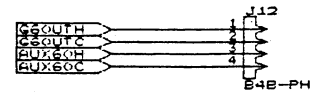
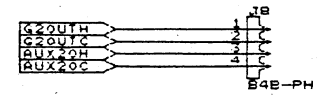
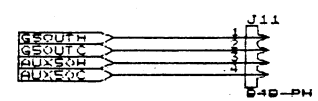
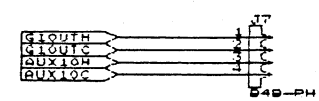
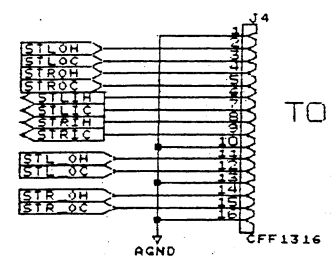
TO MON



TO TB

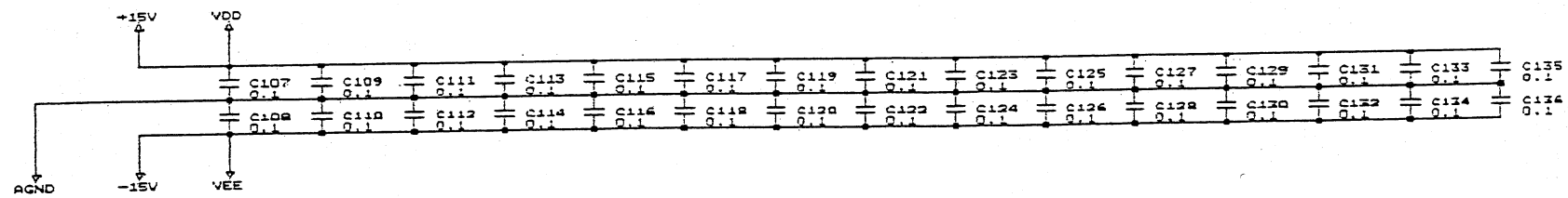
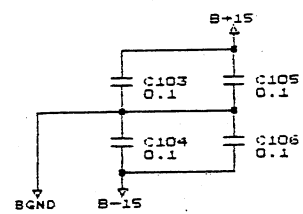
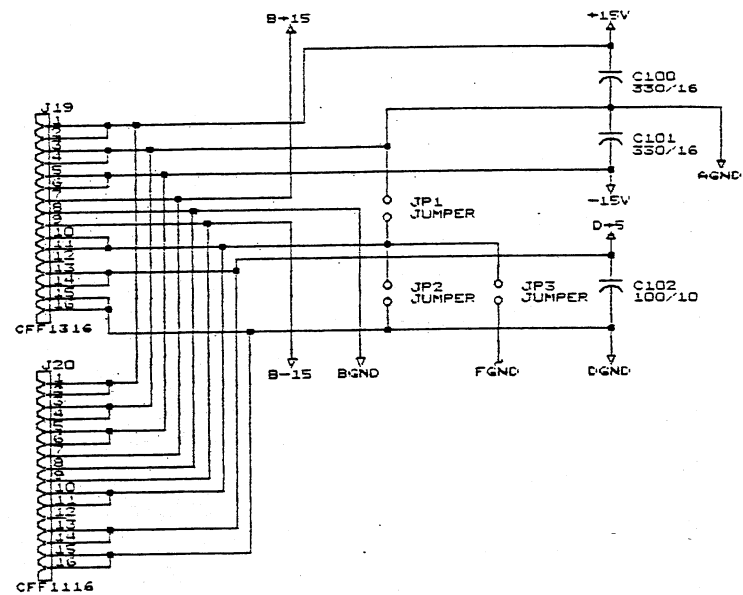


TO ST



I-13

M430 File name: CONE.SCH		
Title	BUS CONNECTOR.SCH	
Size	Document Number	REV
C		
Date:	March 28, 1994	Sheet 6 of 7



I-14

CN PCB
MON-L

GRP/AUX PCB
MON-L

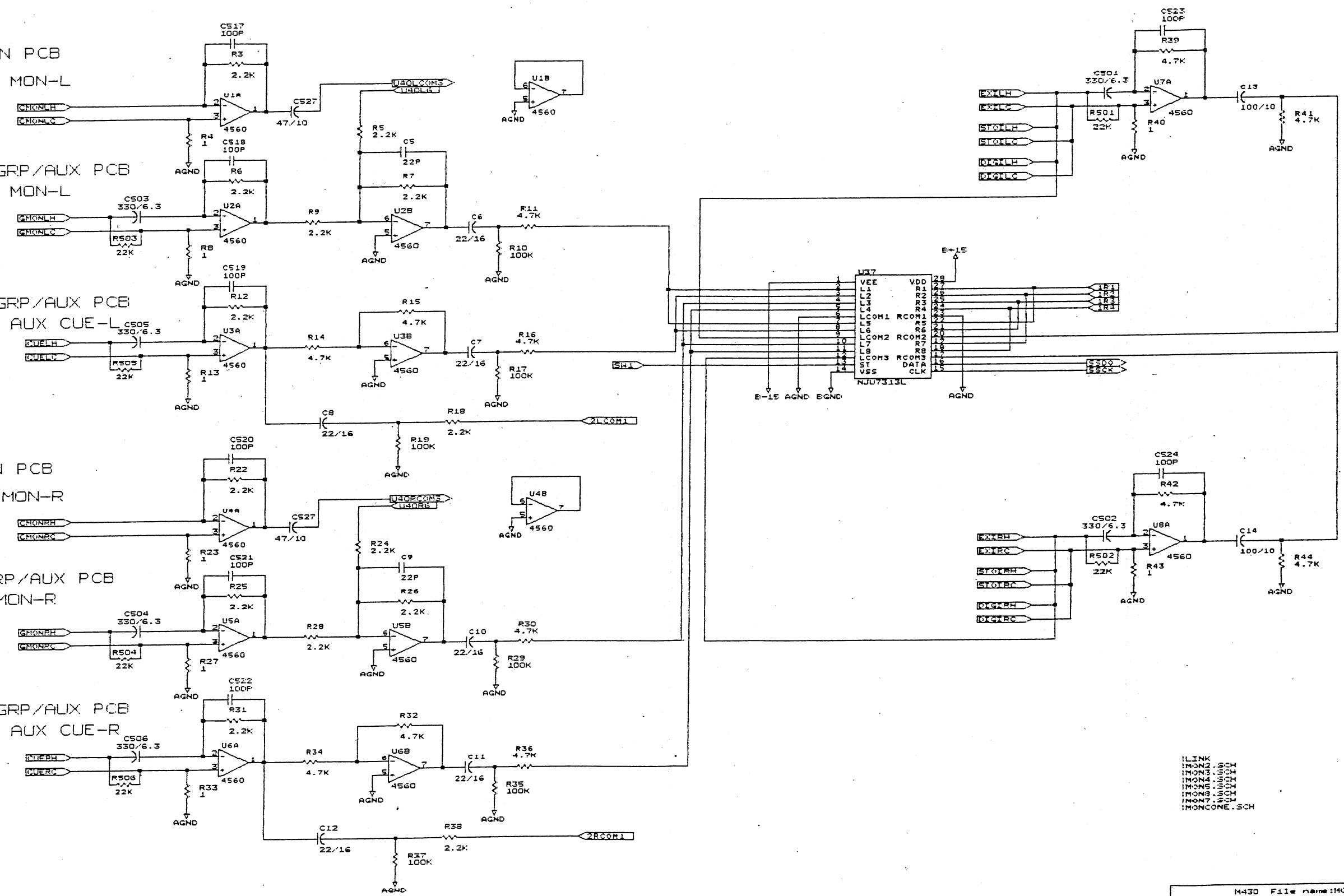
GRP/AUX PCB
AUX CUE-L

CN PCB
MON-R

GRP/AUX PCB
MON-R

GRP/AUX PCB
AUX CUE-R

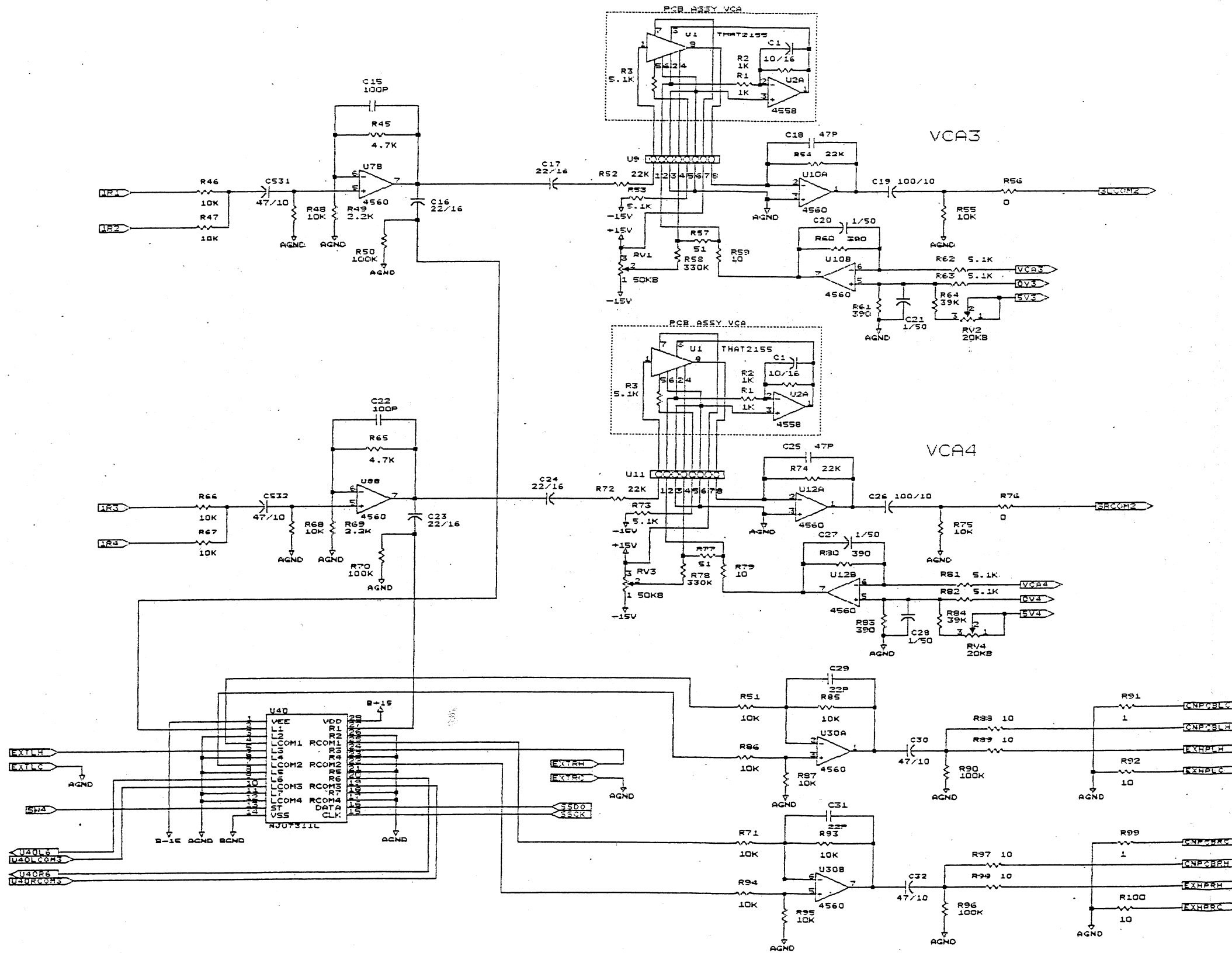
I-15



ILINK
 IMON2.SCH
 IMON3.SCH
 IMON4.SCH
 IMON5.SCH
 IMON6.SCH
 IMON7.SCH
 IMONCONE.SCH

M430 File name:MON1.SCH	
Title	MONITOR AMP
Size Document Number	REV
C	
Date: October 3, 1995	Sheet 1 of 8

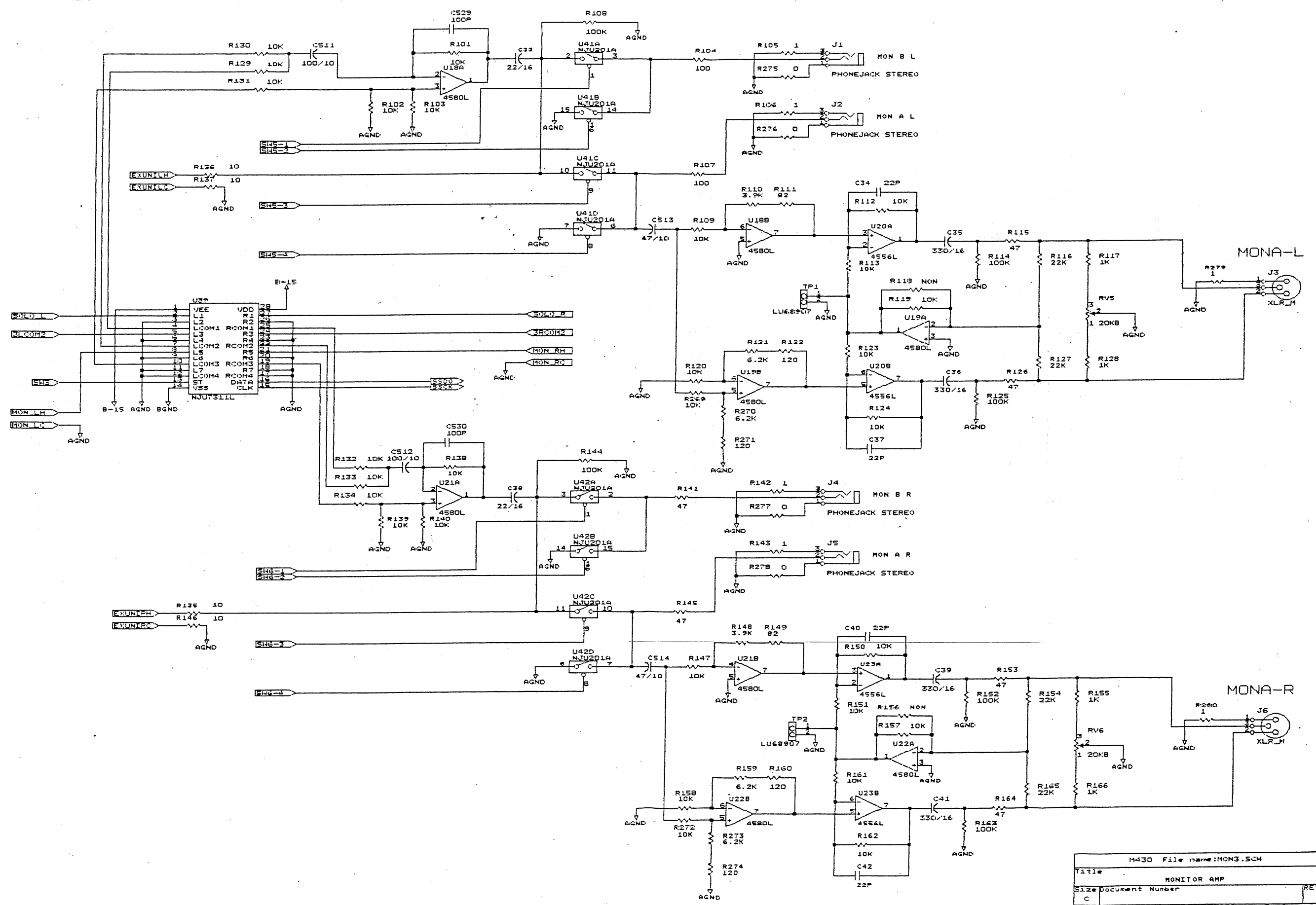
I-16



- CN PCB L
- EXT HP L
- CN PCB R
- EXT HP R

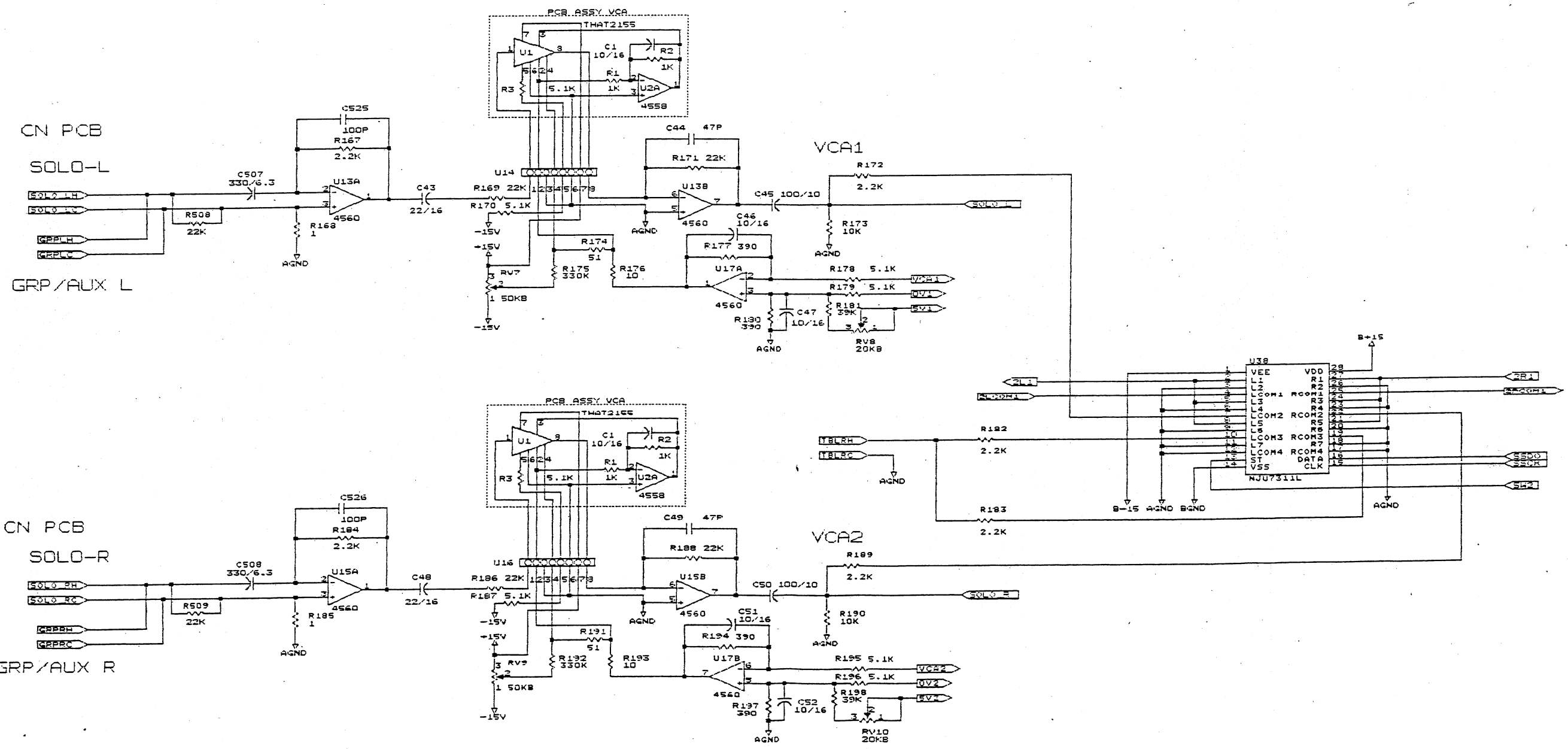
M430 File name: MON2.SCH	
Title	MONITOR AMP
Size Document Number	REV
C	
Date: October 5, 1995	Sheet 2 of 3

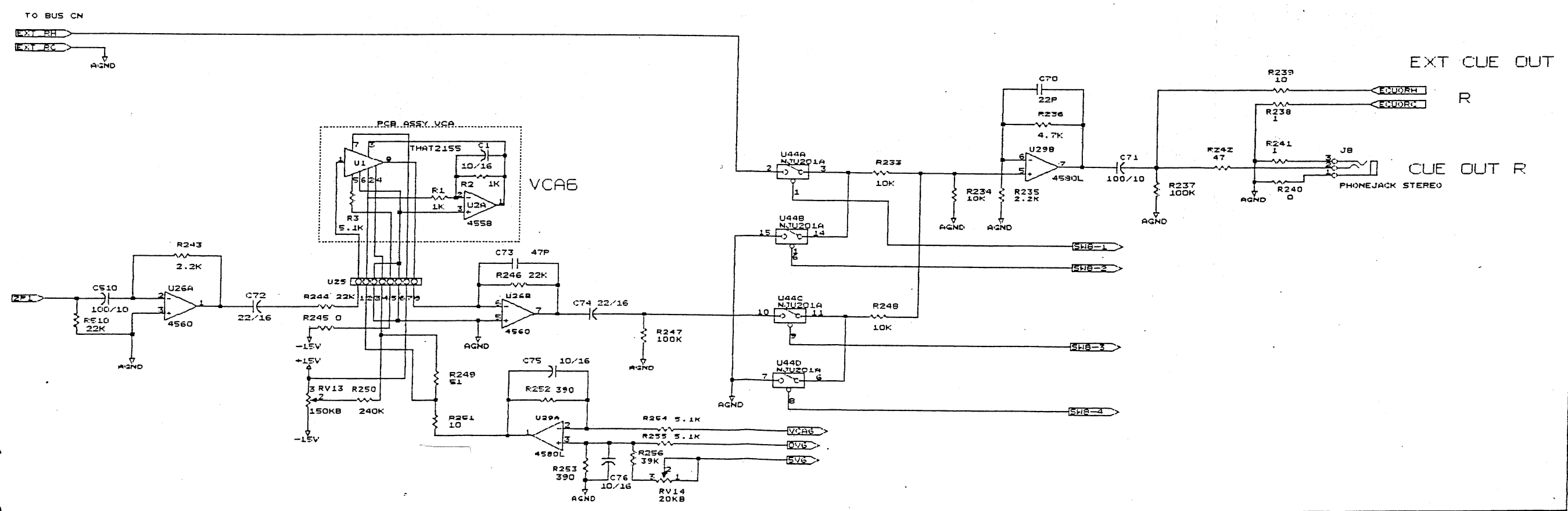
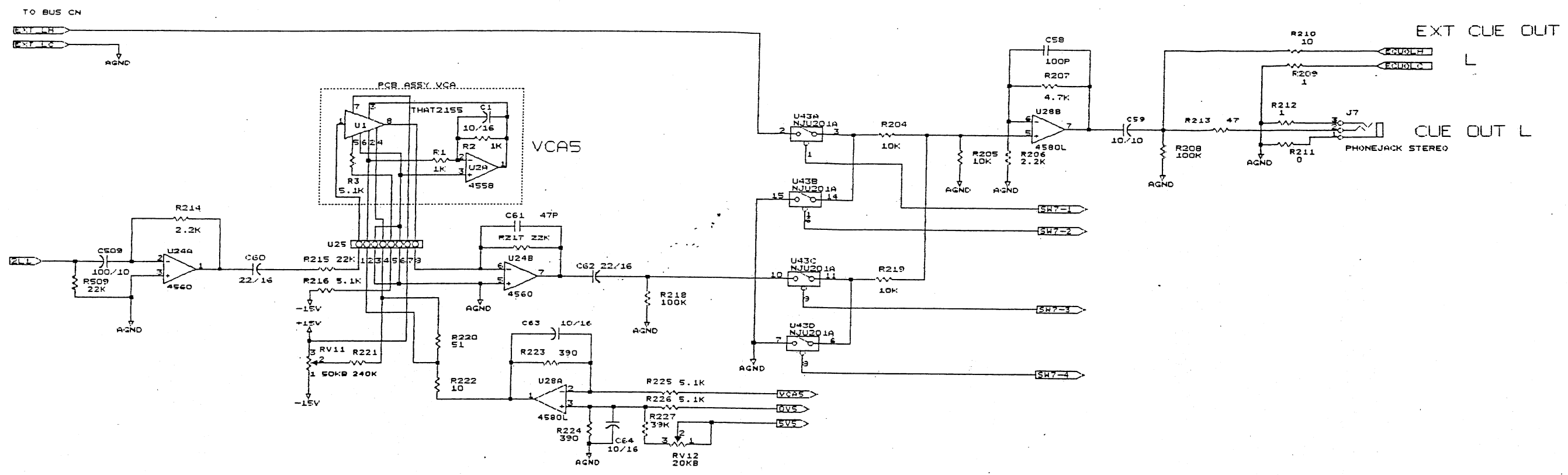
U-17



M430 File name:MON3.SCH	
Title	MONITOR AMP
Size	Document Number
C	REV
Date:	October 3, 1995 Sheet 3 of 3

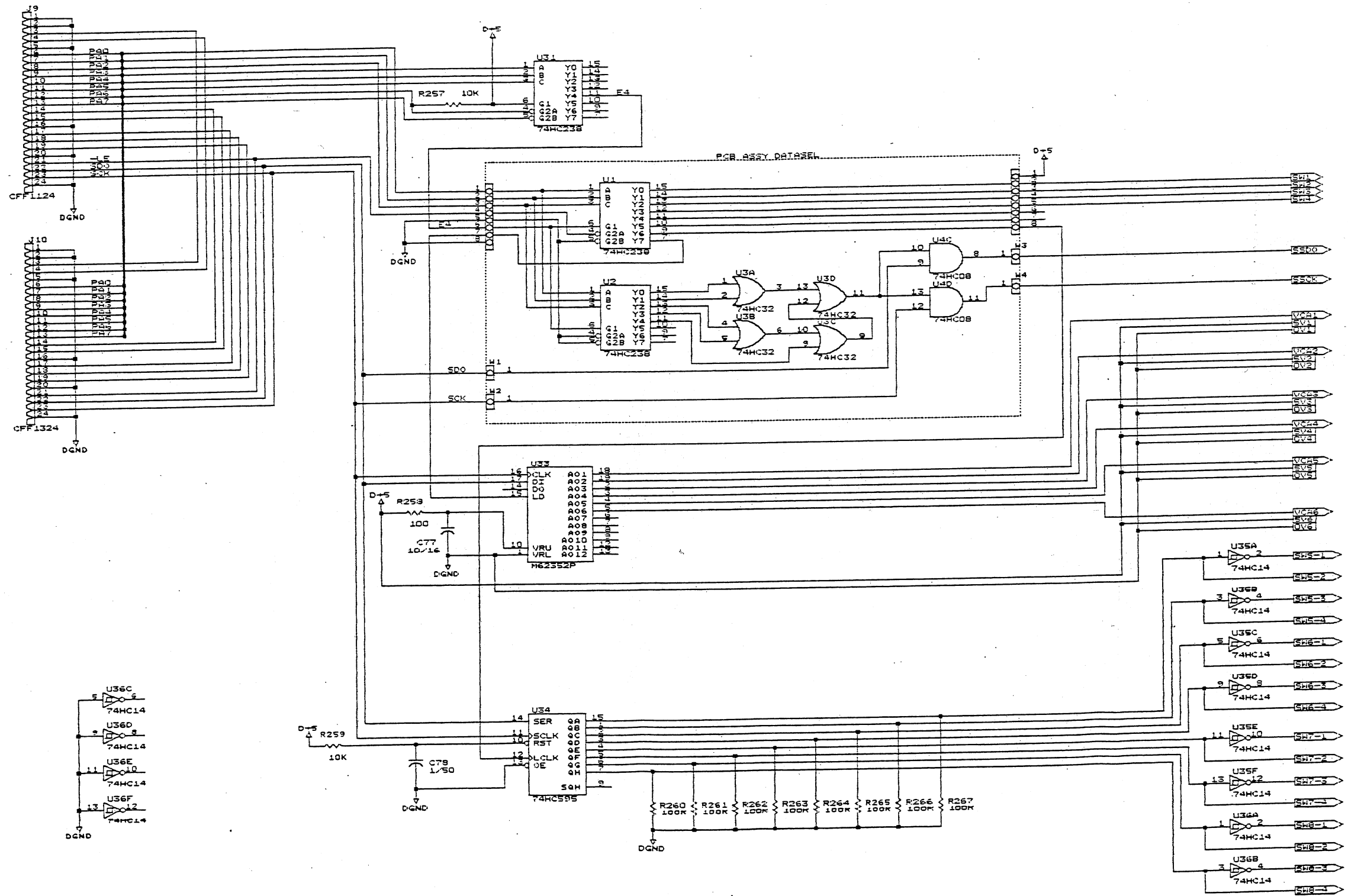
81-1





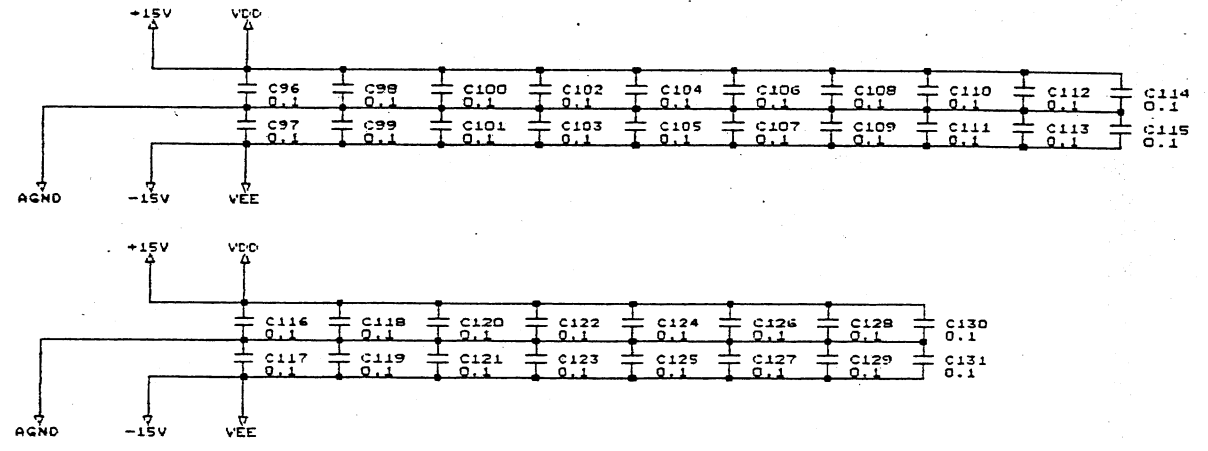
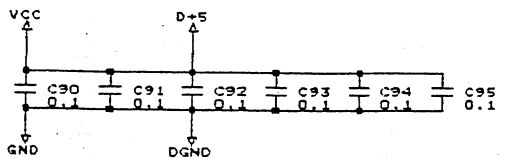
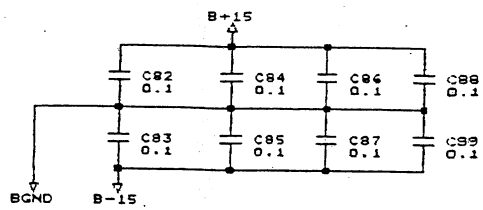
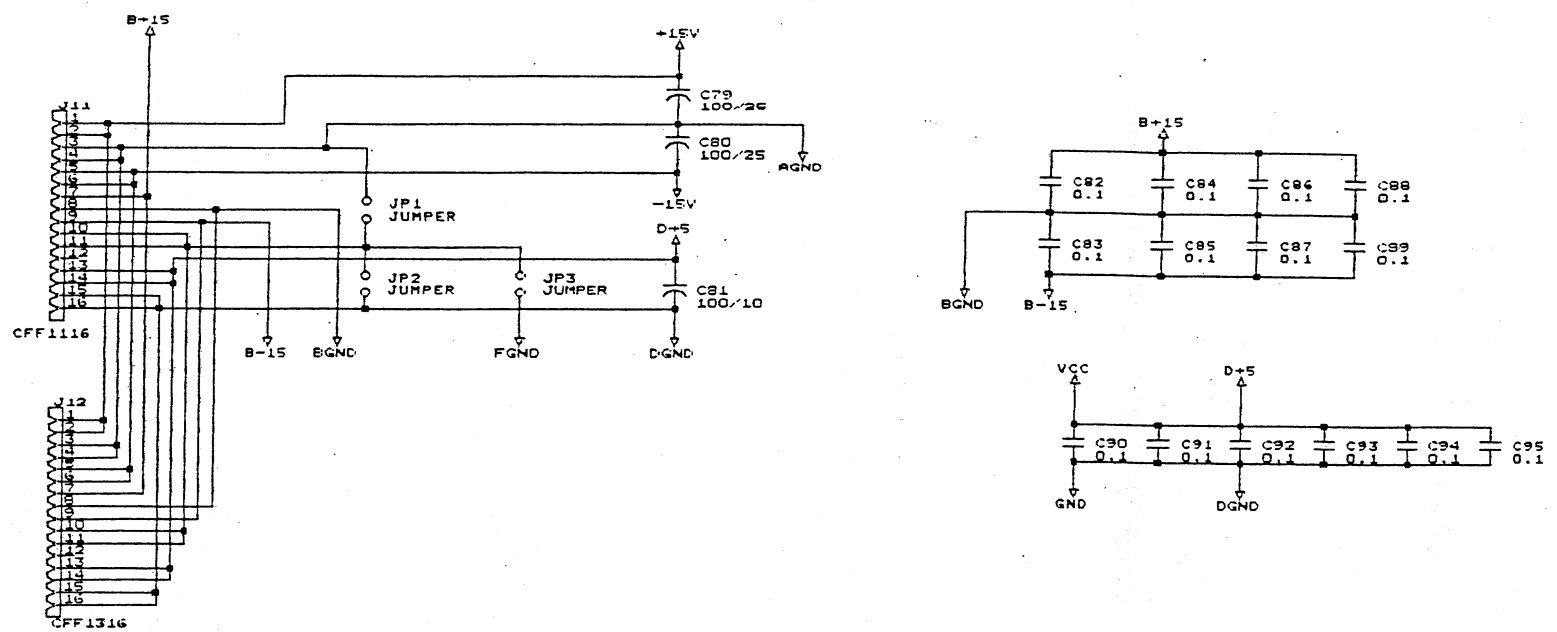
I-19

M430 File name:MON5.SCH	
Title	MONITOR AMP
Size Document Number	REV
C	
Date: October 3, 1995	Sheet 5 of 8

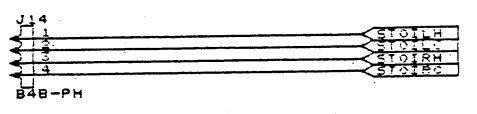


M430 File name: MONG.SCH	
Title	MONITOR AMP
Size Document Number	REV
C	
Date: October 3, 1995	Sheet 6 of 8

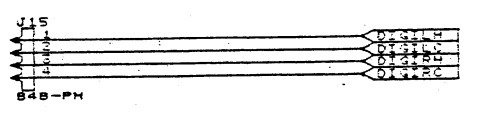
I-20



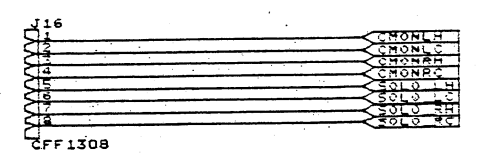
I-21



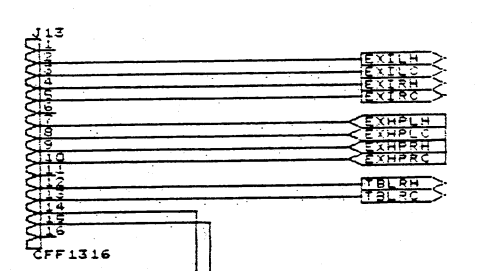
FROM ST MONITOR OUT



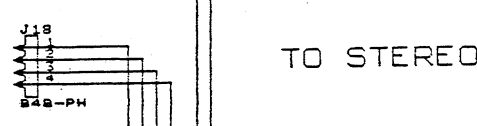
FROM DIG MONITOR OUT



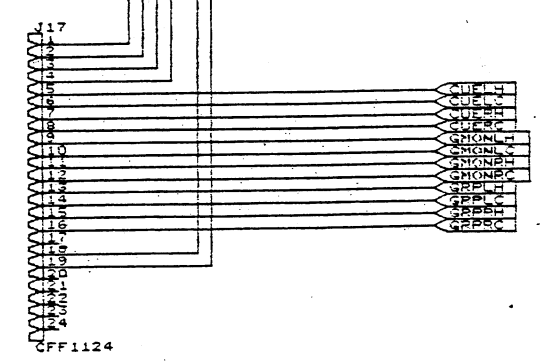
BUS CONNECTOR
MON & SOLO



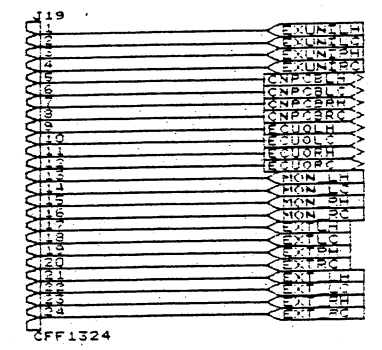
TO TB/OSC
(2TR IN)
(HEADPHONE)
(TB IN)



TO STEREO



GRP/AUX

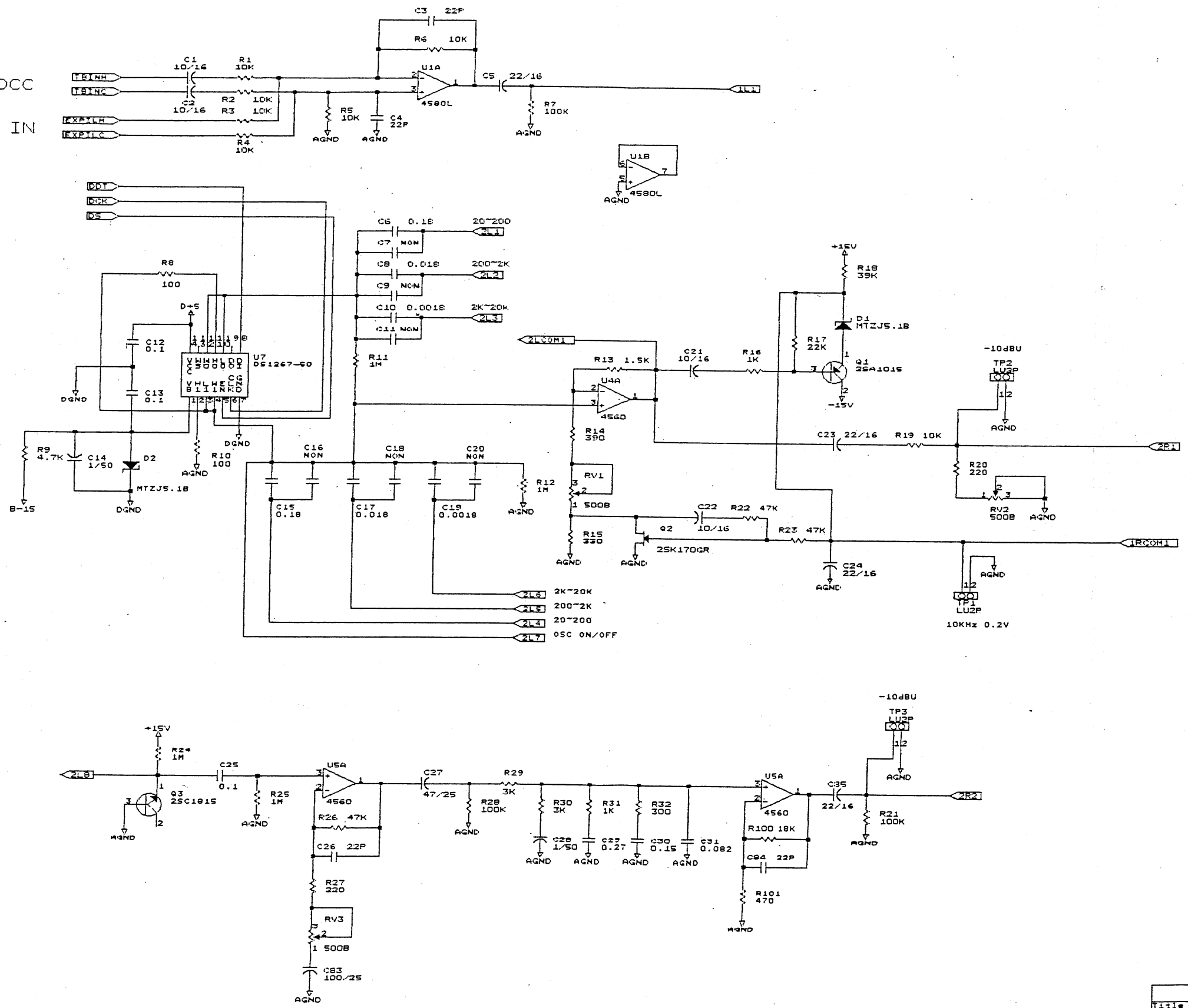


TO BUS CONNECTOR

I-22

M430 File name:MONCONE.SCH	
Title	MONITOR AMP
Size Document Number	REV
C	
Date: March 24, 1994	Sheet 3 of 3

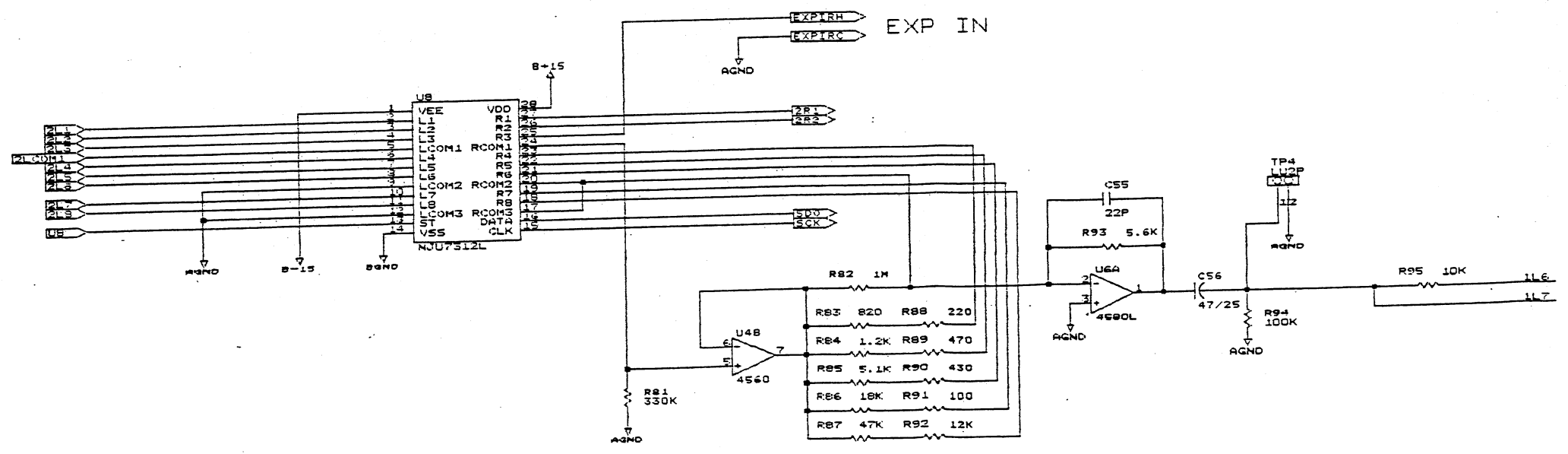
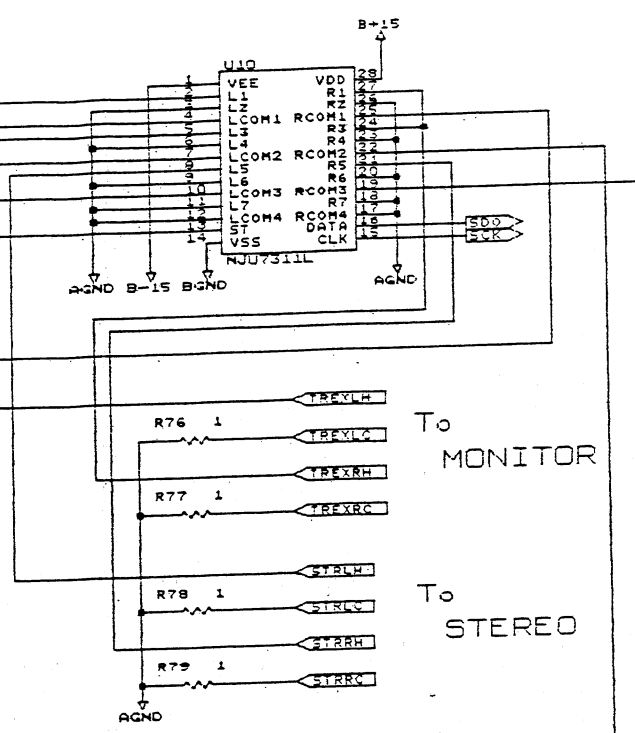
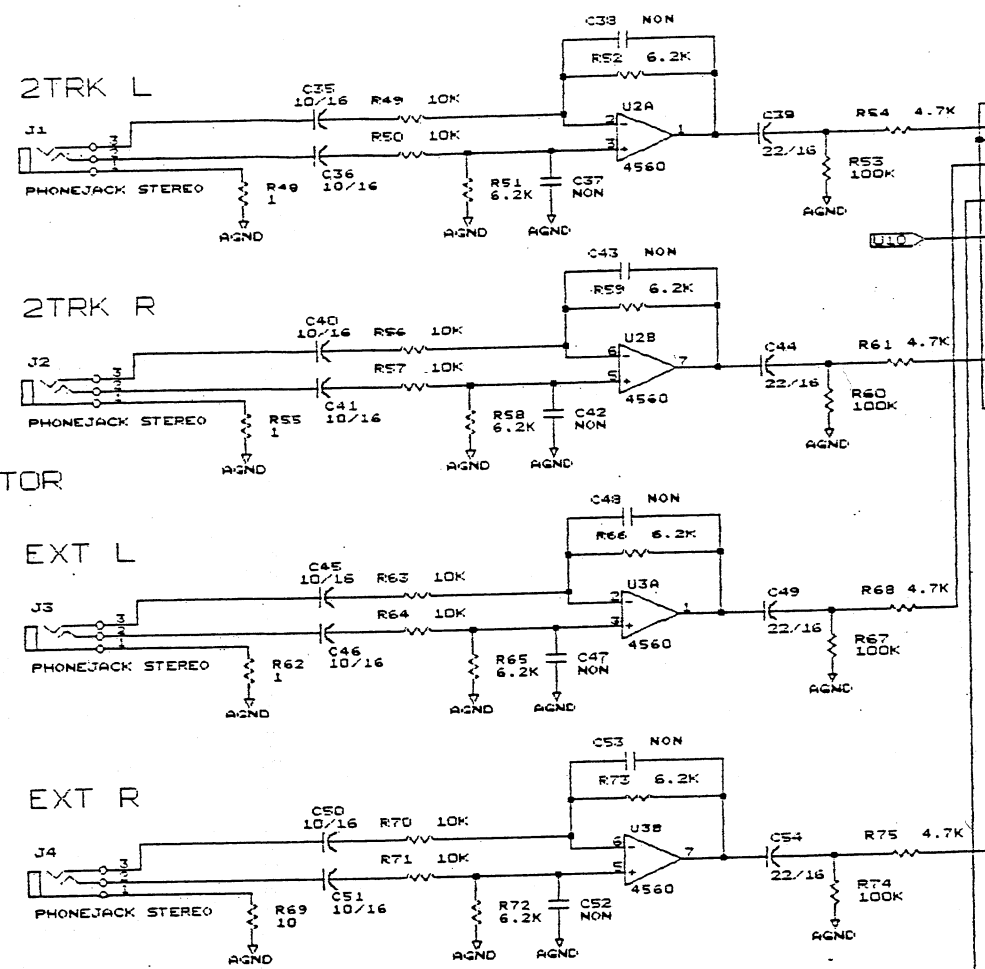
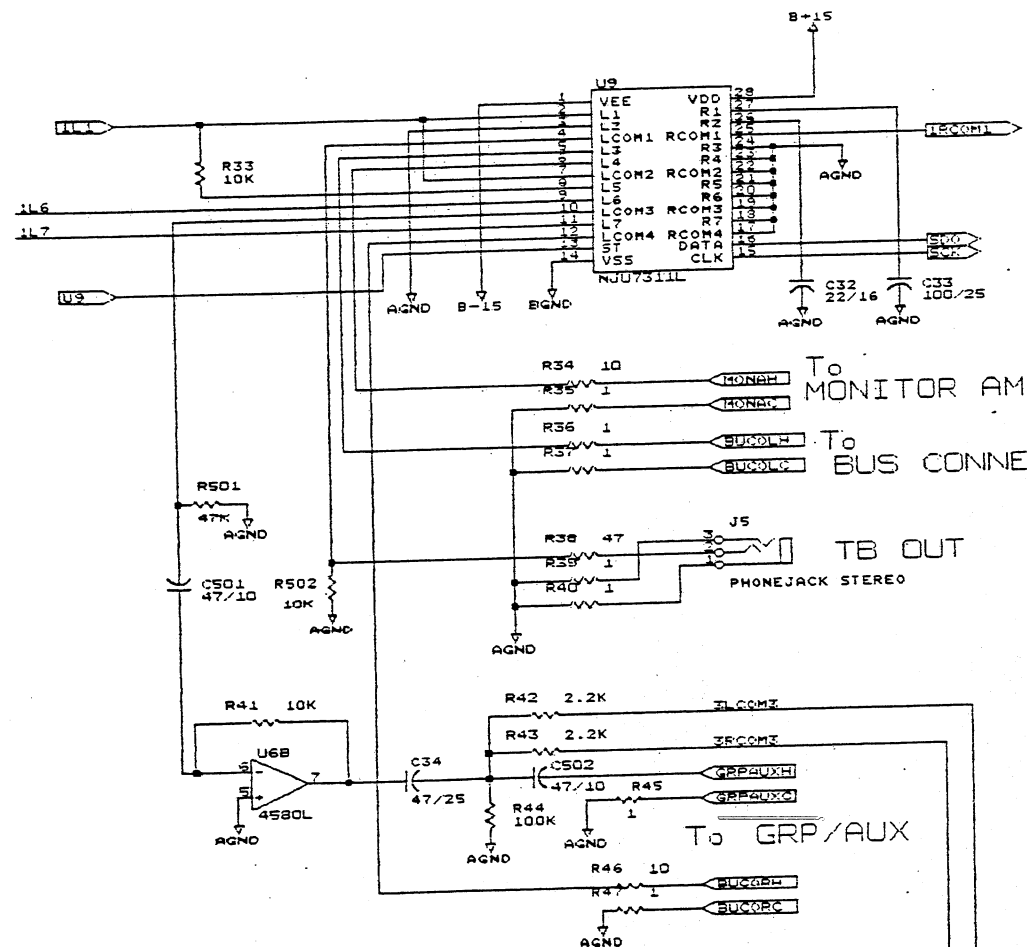
TB IN From DCC
EXP IN



I-23

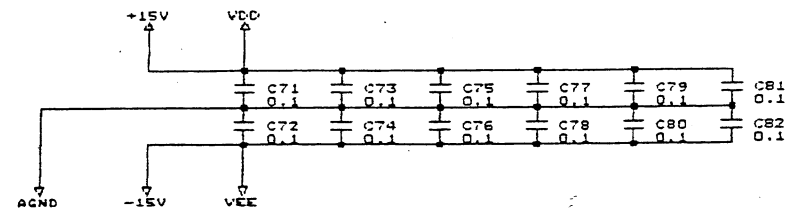
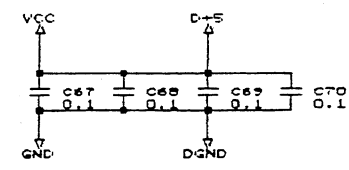
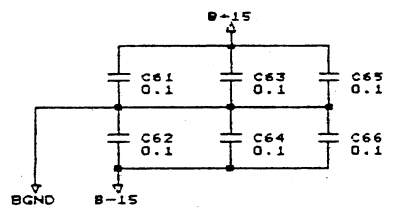
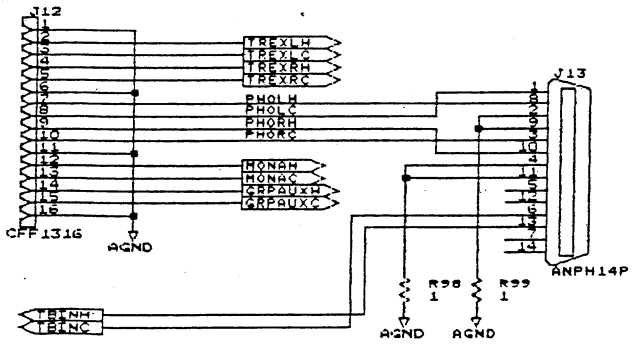
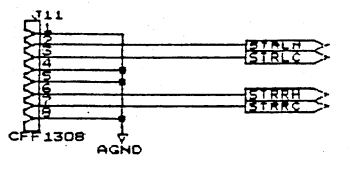
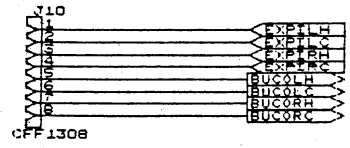
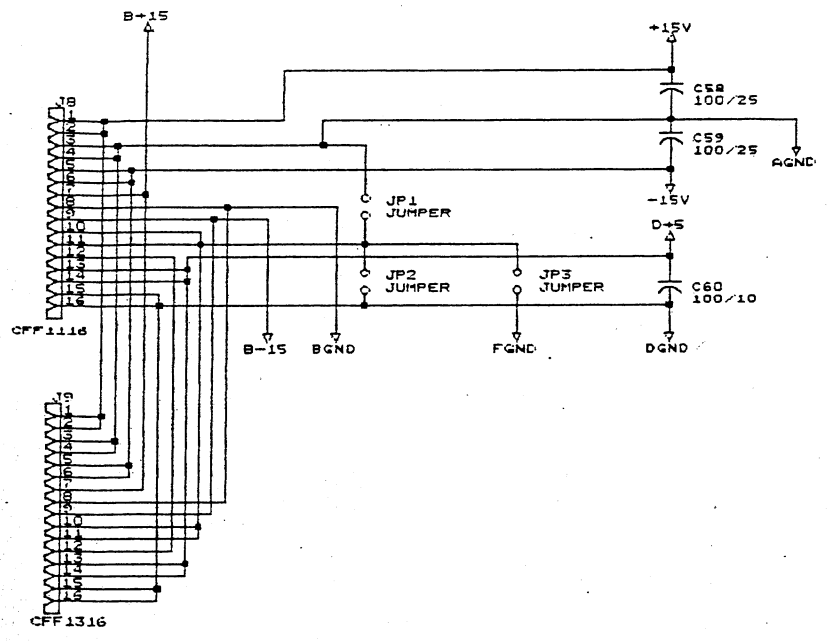
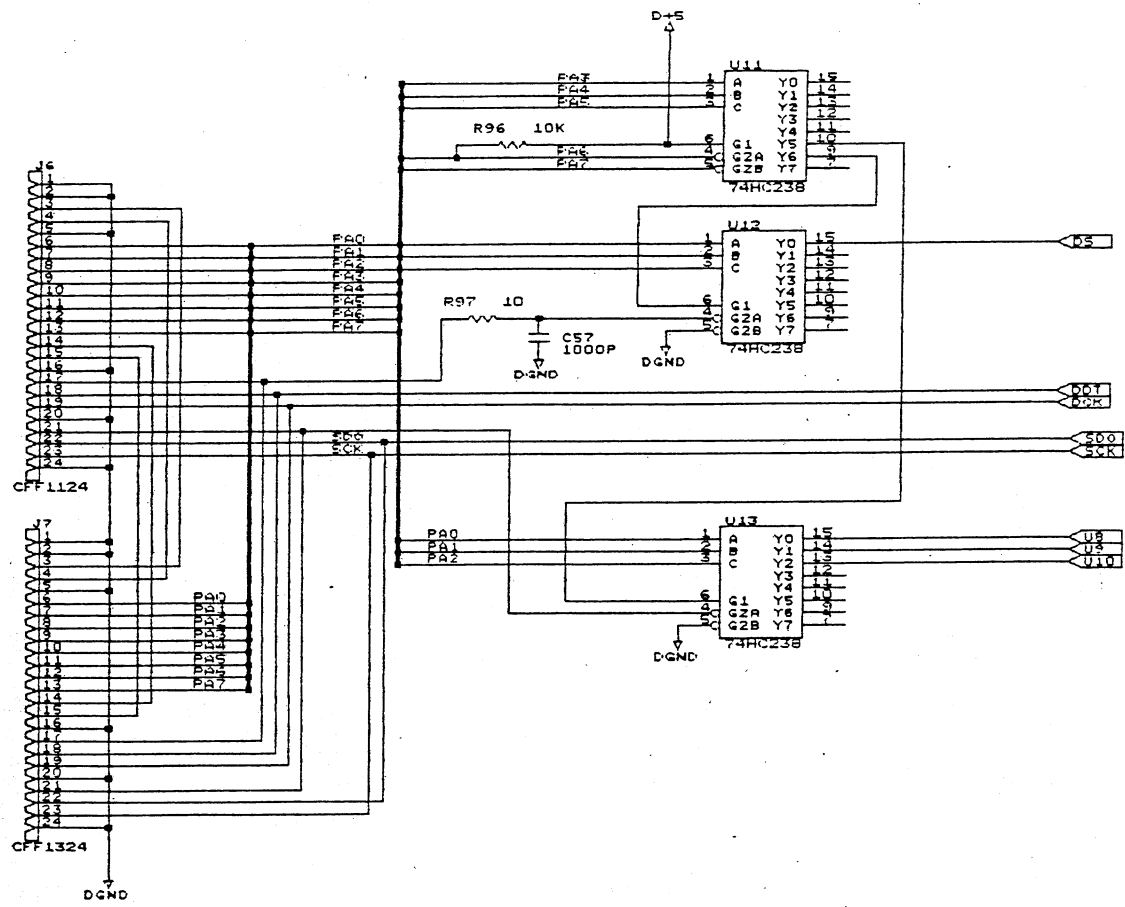
ILINK
TBOA2.SCH
TBOA3.SCH

M430 File name:TBOA1.SCH	
Title	TALKBACK/OSC AMP
Size Document Number	REV
C	
Date:	OCTOBER 4, 1995 Sheet 01



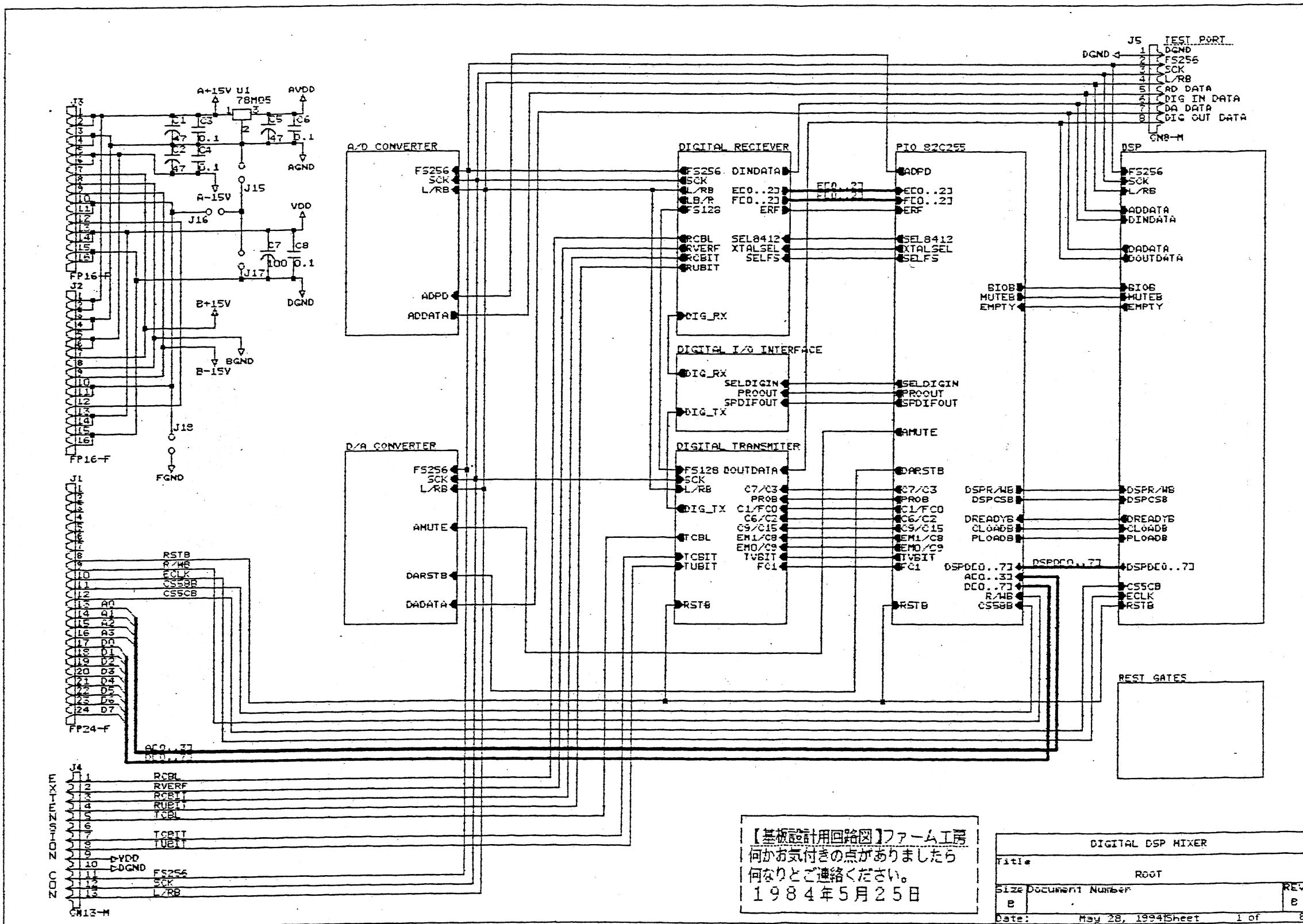
I-24

M430 File name:TB0A2.SCH	
Title	TALKBACK/OSC AMP
Size Document Number	REV
C	
Date: October 3, 1995	Sheet of



I-25

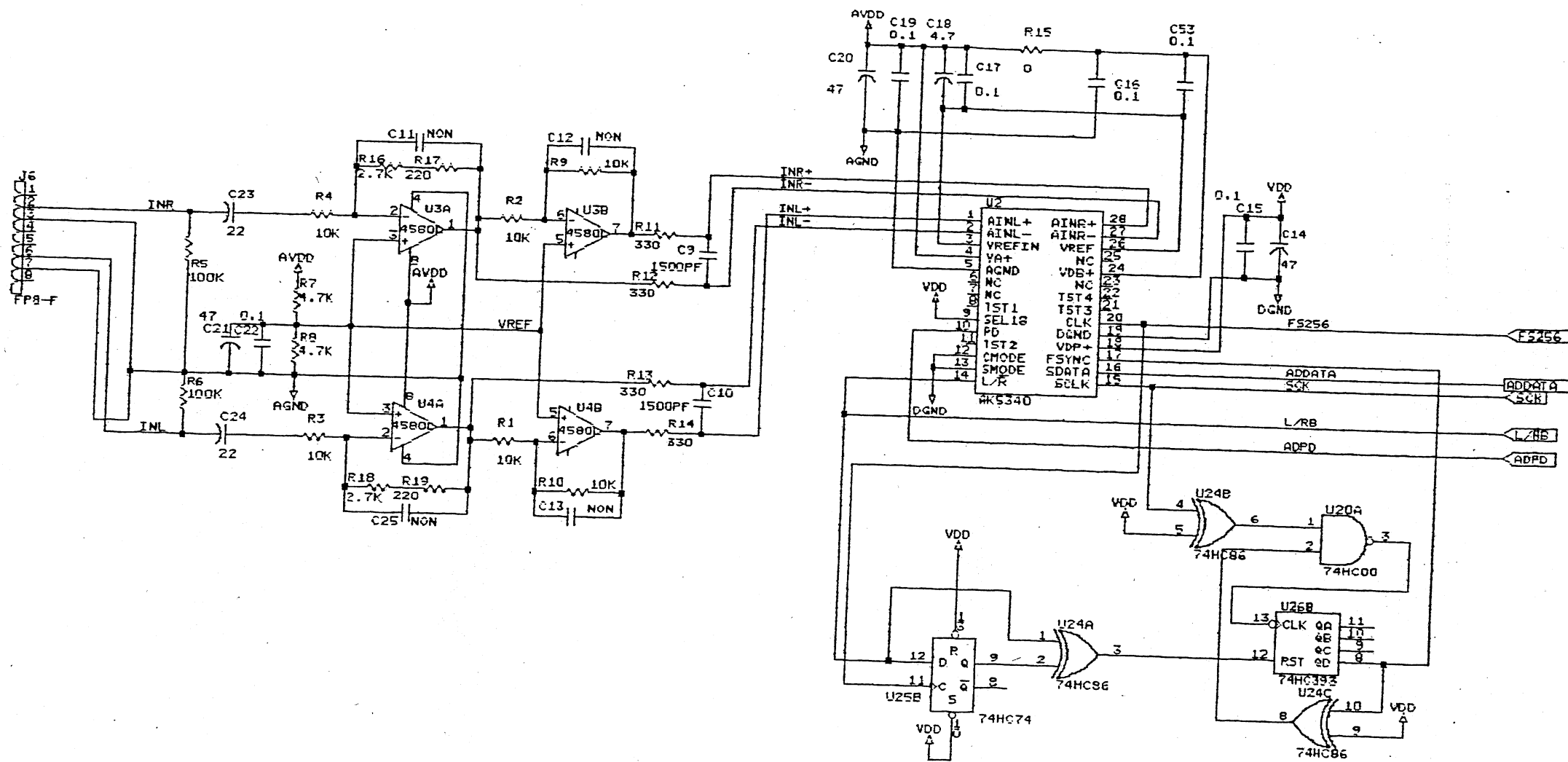
M430 File name: TBOA3.SCH	
Title	TALKBACK/OSC AMP
Size	Document Number
C	REV
Date:	October 4, 1995 Sheet 4 of 4



【基板設計用回路図】ファーム工房
 何かお気付きの点がありましたら
 何なりとご連絡ください。
 1984年5月25日

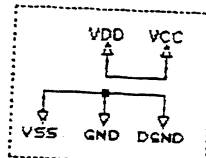
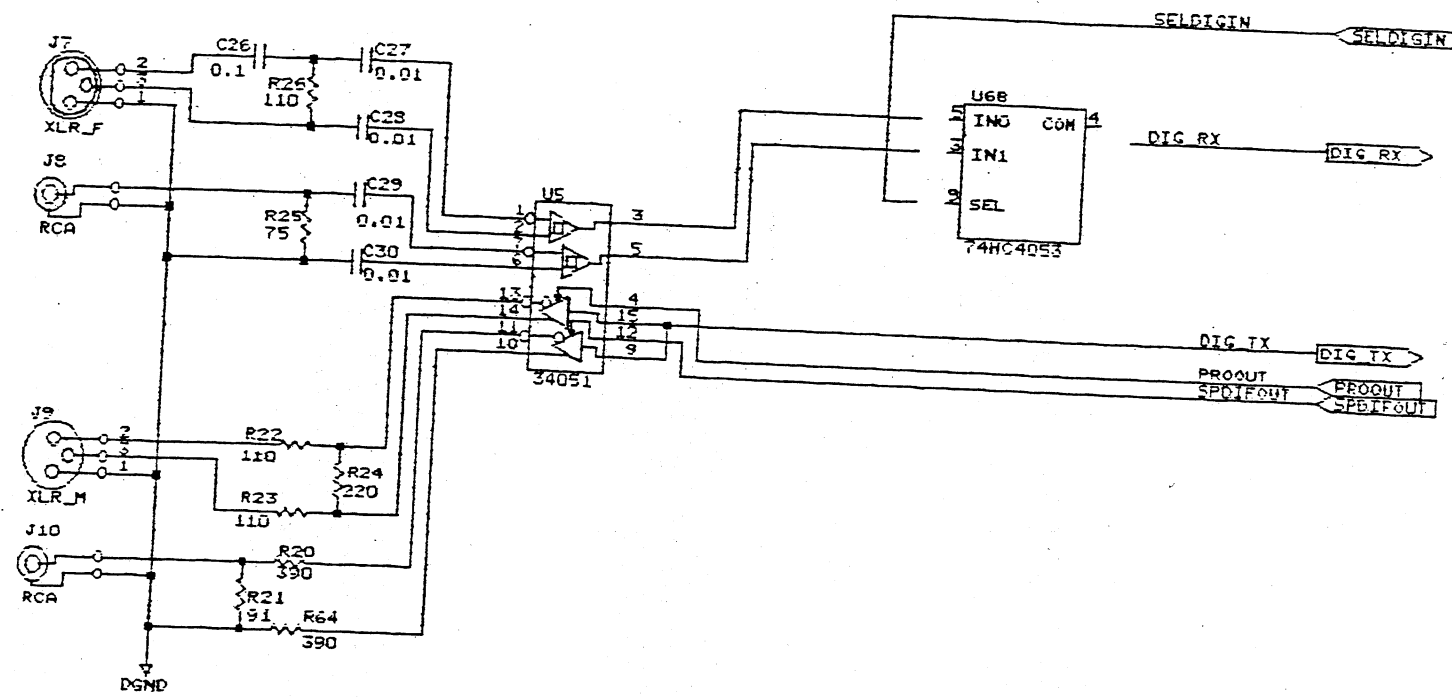
DIGITAL DSP MIXER	
Title	ROOT
Size Document Number	REV
B	B
Date: May 28, 1994	Sheet 1 of 8

I-26



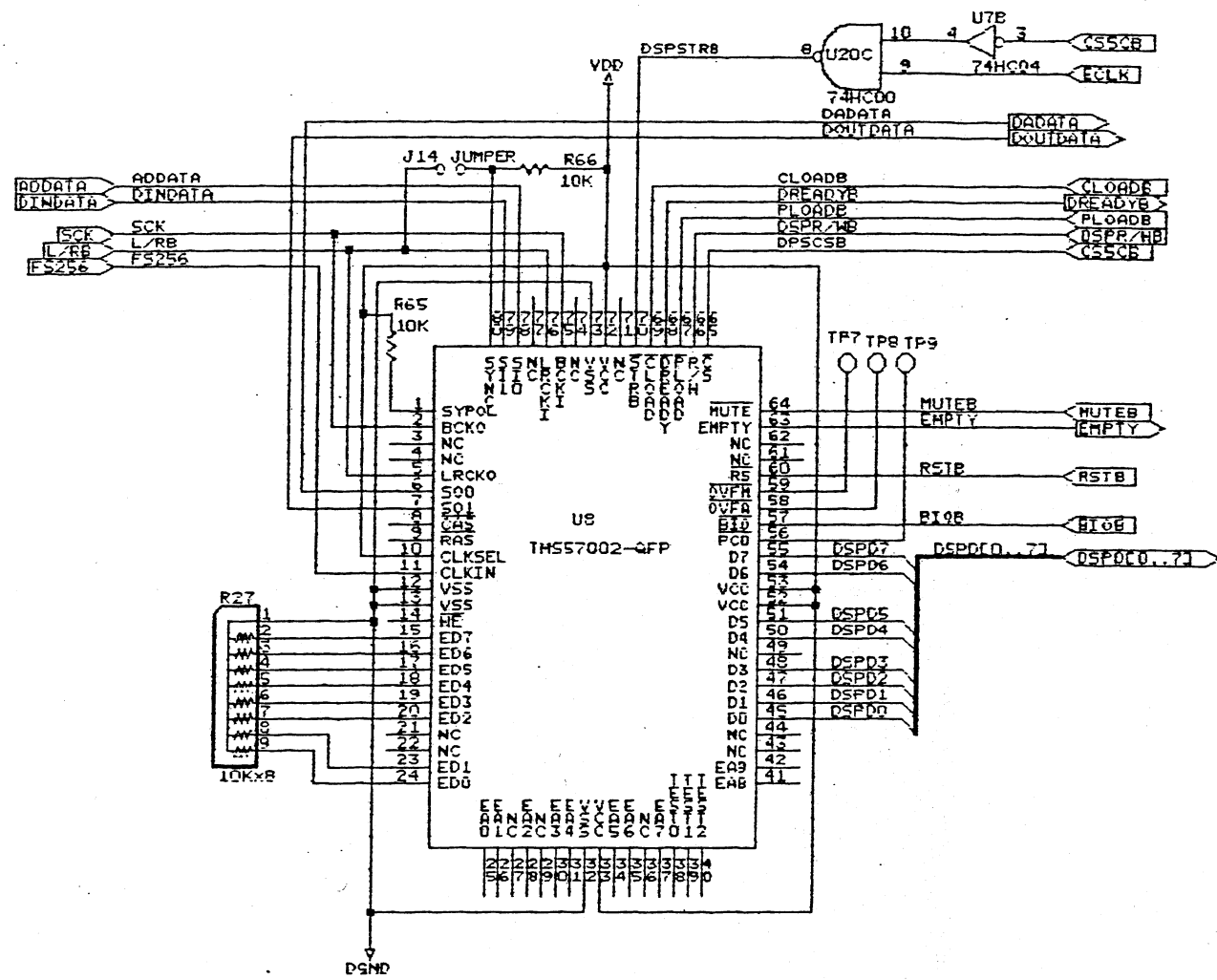
DIGITAL DSP MIXER	
Title	AD CONVERTER
Size	Document Number
B	REV
Date:	June 28, 1994 Sheet 2 of 8

I-27



DIGITAL DSP MIXER	
Title	DIGITAL I/O INTERFACE
Size Document Number	REV
B	
Date: May 27, 1994	Sheet 3 of 8

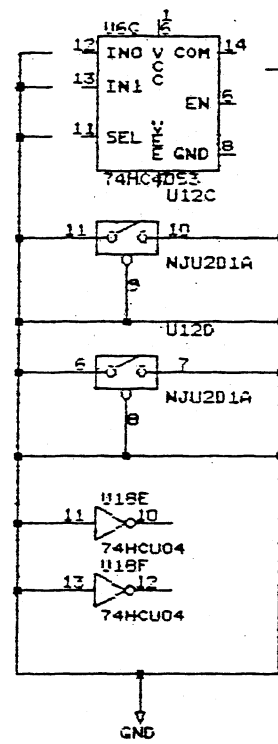
I-28



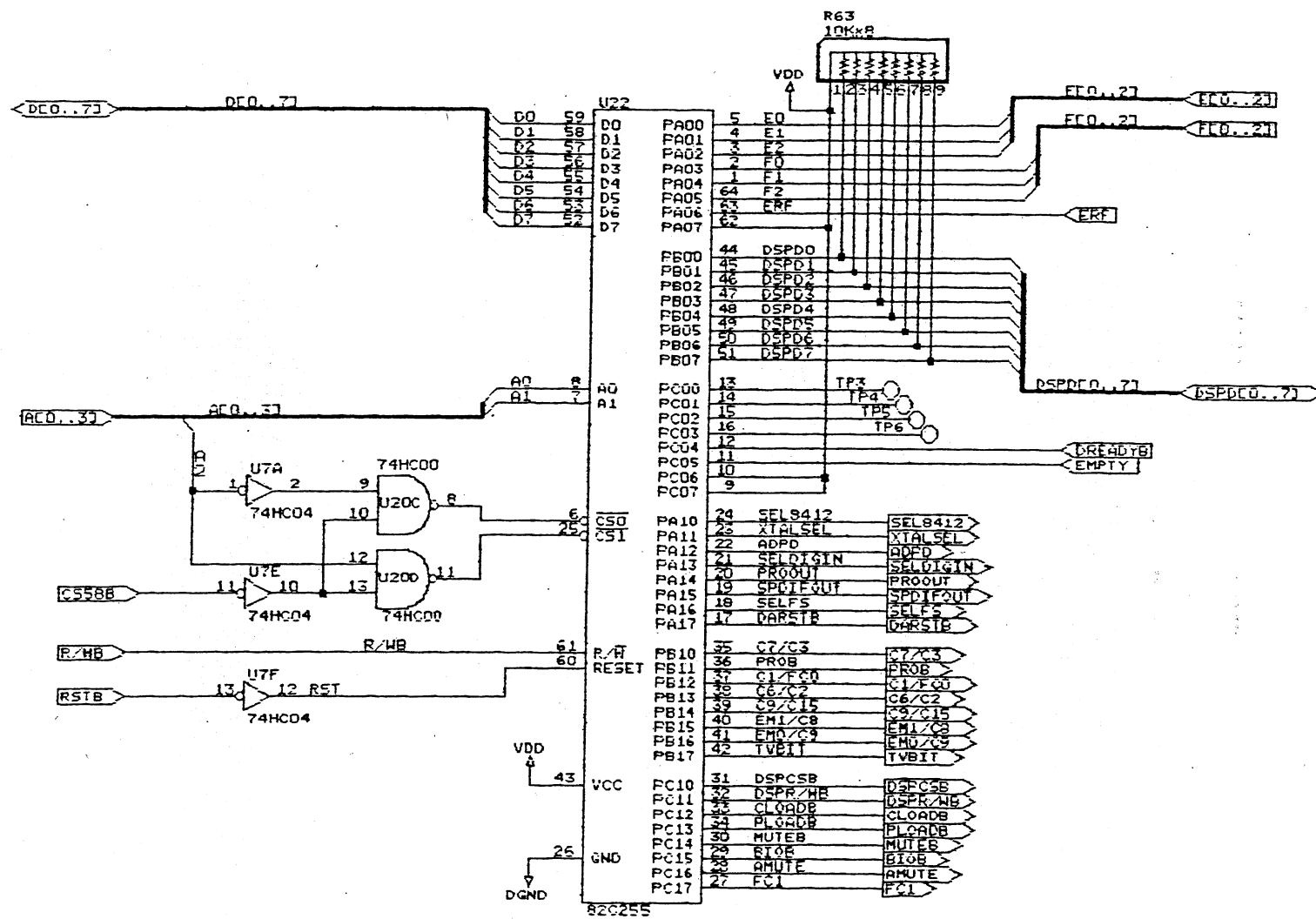
VDD		VCC	
GND		DGND	
DIGITAL DSP MIXER			
Title			
DSP			
Size Document Number			REV
B			
Date: May 29, 1994 Sheet 4 of 8			

I-29

余りゲートの入力処理をお願いします

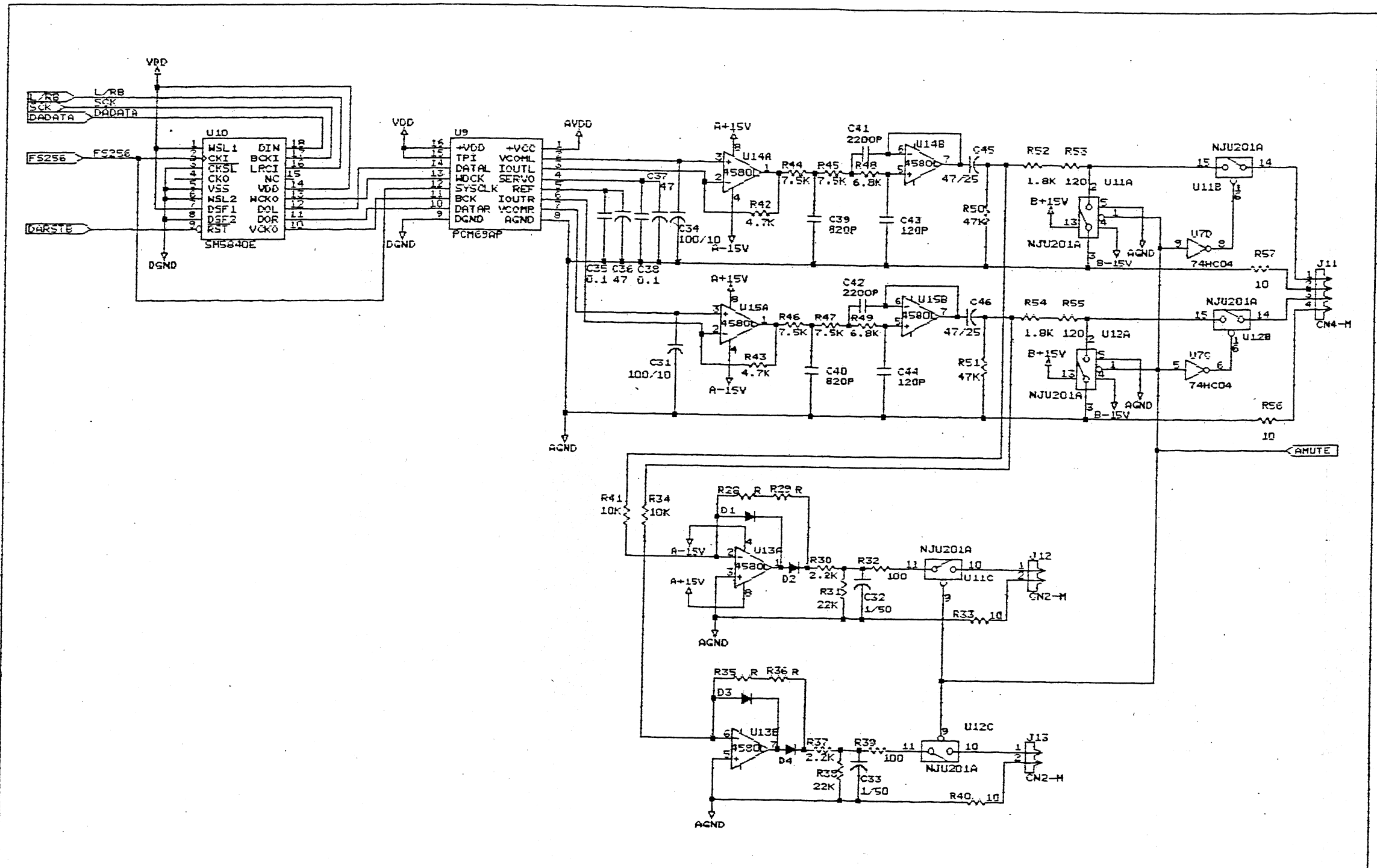


DIGITAL DSP MIXER		
Title	REST GATES	
Size	Document Number	REV
B		
Date:	May 28, 1994	Sheet of



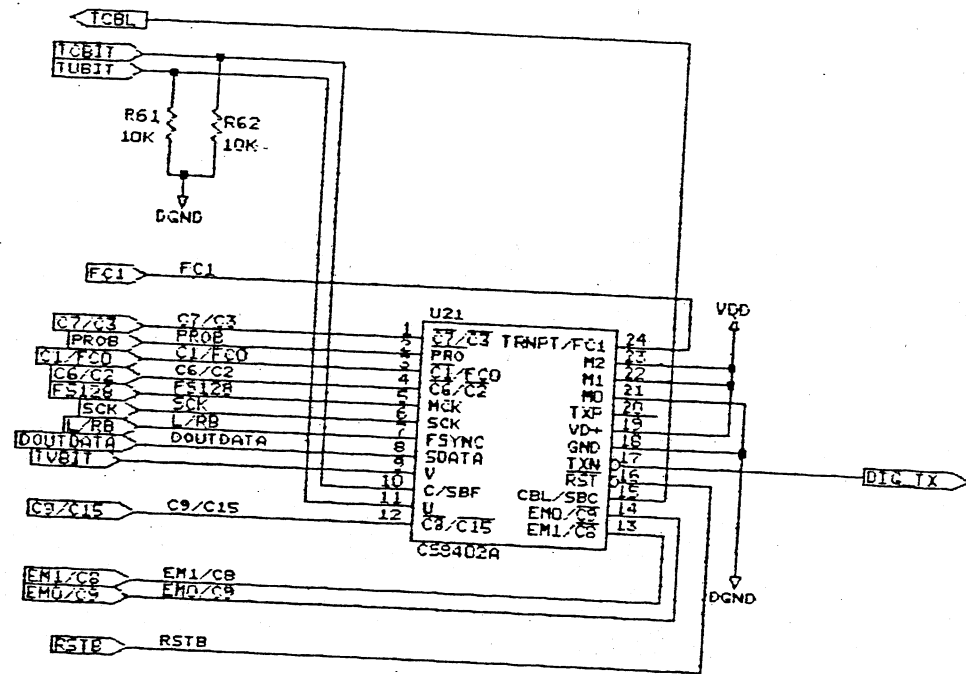
DIGITAL DSP MIXER	
Title	PIO 82C255
Size Document Number	REV
B	
Date: May 28, 1994	Sheet 8 of 8

I-31



DIGITAL DSP MIXER	
Title	DA CONVERTER
Size Document Number	REV
B	
Date: May 29, 1994	Sheet 5 of 8

I-32



DIGITAL DSP MIXER	
Title	DIGITAL TRANSMITTER
Size Document Number	REV
B	
Date: May 28, 1994	Sheet 7 of 8

I-33