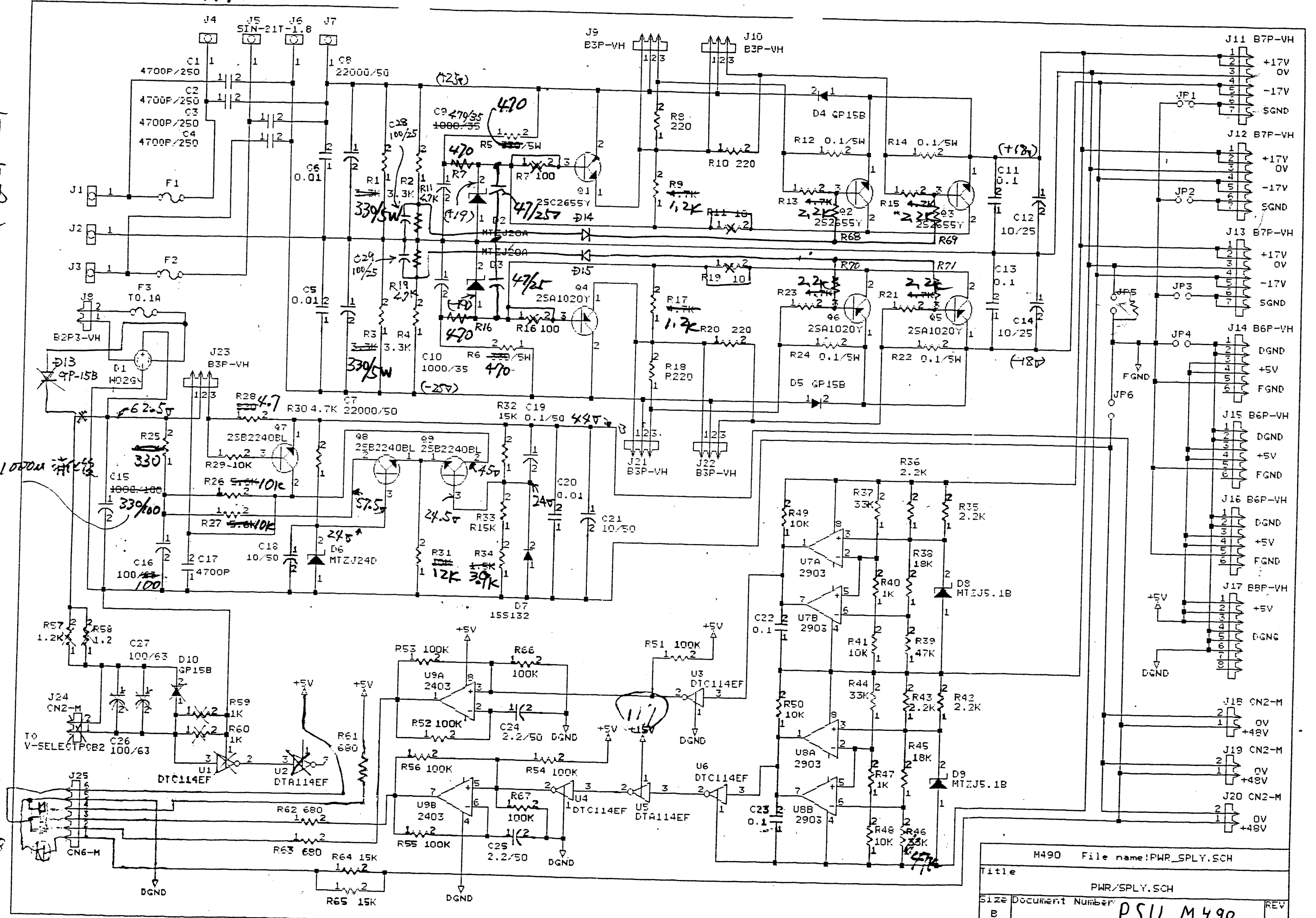


M490

* ()内
標準
* 48V系
()=2号
No Load



M490		File name: PWR_SPLY.SCH	
Title PWR/SPLY.SCH			
Size	Document Number:	PSU M490	
B		REV	
Date: February 23, 1994		Sheet	of